

**ARM Cortex<sup>®</sup>-M0**  
**32-bit Microcontroller****NuMicro<sup>®</sup> Family**  
**NM1240 Series**  
**Data Brief**

*The information described in this document is the exclusive intellectual property of Nuvoton Technology Corporation and shall not be reproduced without permission from Nuvoton.*

*Nuvoton is providing this document only for reference purposes of NuMicro microcontroller based system design. Nuvoton assumes no responsibility for errors or omissions.*

*All data and specifications are subject to change without notice.*

For additional information or questions, please contact: Nuvoton Technology Corporation.

[www.nuvoton.com](http://www.nuvoton.com)

**TABLE OF CONTENTS**

**1 GENERAL DESCRIPTION..... 6**

**2 FEATURES ..... 7**

**3 ABBREVIATIONS ..... 11**

    3.1 Abbreviations..... 11

**4 PARTS INFORMATION LIST AND PIN CONFIGURATION..... 12**

    4.1 Selection Guide..... 12

        4.1.1 NuMicro® NM1240 Series Selection Guide .....12

    4.2 Pin Configuration ..... 13

        4.2.1 NuMicro® NM1240 Series LQFP48 Diagram .....13

        4.2.2 NuMicro® NM1240 Series QFN48 Pin Diagram .....14

        4.2.3 NuMicro® NM1240 Series QFN33 Pin Diagram .....15

    4.3 Pin Description ..... 16

        4.3.1 NM1240 Series Pin Description Overview.....16

        4.3.2 NM1240 Series Pin Description .....17

        4.3.3 GPIO Multi-function Pin Summary.....26

**5 BLOCK DIAGRAM..... 32**

    5.1 NuMicro® NM1240 Block Diagram..... 32

**6 ELECTRICAL CHARACTERISTICS..... 33**

    6.1 Absolute Maximum Ratings ..... 33

    6.2 DC Electrical Characteristics ..... 34

    6.3 AC Electrical Characteristics ..... 39

        6.3.1 External Input Clock.....39

        6.3.2 External Clock Input (EXT\_CLK) (up to 24MHz) .....39

        6.3.3 48/60 MHz Internal High Speed RC Oscillator (HIRC) .....39

        6.3.4 10 kHz Internal Low Speed RC Oscillator (LIRC).....40

    6.4 Analog Characteristics ..... 41

        6.4.1 12-bit SAR ADC .....41

        6.4.2 12-bit SAR DAC.....43

        6.4.3 DAC Output buffer .....44

        6.4.4 LDO & Power Management.....45

        6.4.5 Brown-out Detector .....45

        6.4.6 Power-on Reset.....45

        6.4.7 LVR Reset.....45

        6.4.8 Comparator.....46

        6.4.9 OP Amplifier .....46

        6.4.10 Temperature Sensor.....47

6.4.11 ESD Characteristics .....47  
6.4.12 EFT Characteristics .....47  
6.5 Flash DC Electrical Characteristics ..... 48  
**7 PACKAGE DIMENSIONS ..... 49**  
7.1 48-Pin LQFP (7mm x 7mm) ..... 49  
7.2 48-Pin QFN (7mm x 7mm) ..... 50  
7.3 33-pin QFN33 (4 mm x 4 mm) ..... 51  
**8 REVISION HISTORY .....52**

**List of Figures**

Figure 4.2-1 NuMicro® NM1240 Base Series LQFP 48-pin Diagram ..... 13  
Figure 5.1-1 NuMicro® NM1240 Block Diagram ..... 32

**List of Tables**

Table 3.1-1 List of Abbreviations..... 11  
Table 4.1-1 NuMicro® NM1240 Base Series Selection Guide ..... 12  
Table 4.3-1 LQFP48/QFN48/QFN33 Pin Description ..... 25  
Table 4.3-2 LQFP48/QFN48/QFN33 Multi-function Pin Summary ..... 31

## 1 GENERAL DESCRIPTION

The NuMicro® NM1240 series 32-bit microcontrollers are embedded with ARM® Cortex®-M0 core for industrial applications which need high performance, high integration, and low cost. The Cortex®-M0 is the newest ARM® embedded processor with 32-bit performance at a cost equivalent to the traditional 8-bit microcontroller.

The NM1240 series can run up to 48(60) MHz and operate at 2.2V(3.3V) ~ 5.5V, -40°C ~ 105°C, and thus can support a variety of industrial control applications which need high CPU performance. The NM1240 offers 64 Kbytes embedded program Flash, size configurable Data Flash (shared with program flash), 7.5 Kbytes Flash for the ISP, 1.5 Kbytes SPROM for security, and 8Kbytes SRAM.

Many system level peripheral functions, such as I/O Port, Timer, UART, SPI, I<sup>2</sup>C, PWM, ADC, OP, Watchdog Timer, Analog Comparator and Brown-out Detector, have been incorporated into the NM1240 to reduce component count, board space and system cost. These useful functions make the NM1240 powerful for a wide range of applications.

Additionally, the NM1240 series is equipped with ISP (In-System Programming) and ICP (In-Circuit Programming) functions, which allow the user to update the program memory without removing the chip from the actual end product.

## 2 FEATURES

- Core
  - ARM® Cortex®-M0 core running up to 48/60 MHz by internal RC oscillator
  - One 24-bit system timer
  - Supports low power Idle mode
  - A single-cycle 32-bit hardware multiplier
  - NVIC for the 32 interrupt inputs, each with 4-level of priority
  - Supports Serial Wire Debug (SWD) interface and two watch points/four breakpoints
- Built-in LDO for wide operating voltage ranged: 2.2 V to 5.5 V
- Memory
  - 64 Kbytes Flash memory for program memory (APROM)
  - Configurable Flash memory for data memory (Data Flash)
  - 7.5 KB Flash memory for loader (LDR0M)
  - Three 0.5 KB Flash memory for security protection (SPROM0, 1, 2)
  - 8 KB SRAM for internal scratch-pad RAM (SRAM)
- Clock Control
  - Programmable system clock source
    - ◆ Switch clock sources on-the-fly
  - Up to 24 MHz External Clock input (EXT\_CLK)
  - 48(60) MHz internal oscillator (HIRC) (1% accuracy at 25°C, 5V)
  - 10 kHz internal low-power oscillator (LIRC) for Watchdog Timer and idle wake-up
- I/O Port
  - Up to 44 general-purpose I/O (GPIO) pads and 1 Reset pad
  - Four I/O modes:
    - ◆ Quasi-bidirectional input/output
    - ◆ Push-Pull output
    - ◆ Open-Drain output
    - ◆ Input only with high impedance
  - Optional TTL/Schmitt trigger input
  - I/O pin can be configured as interrupt source with edge/level setting
  - Supports high driver and high sink I/O mode
  - GPIO built-in Pull-up/Pull-low resistor for selection.
- Timer
  - Provides three channel 32-bit Timers; one 8-bit pre-scalar counter with 24-bit up-timer for each timer
  - Independent clock source for each timer

- Provides One-shot, Periodic, Toggle and Continuous operation modes
- 24-bit up counter value is readable through TDR (Timer Data Register)
- Provides trigger counting/free counting/counter reset function triggered by external capture pin or internal comparator signal
- Supports event counter function
- Supports Toggle Output mode
- Supports wake-up from Idle or Power-down mode
- Continuous Capture
- Timer0, Timer1, Timer2 and SysTick provided with continuous capture function to capture at most 4 edges continuously on one signal
- ECAP (Enhanced Input Capture)
  - One units of 24-bit input capture counter
  - Capture source:
    - ◆ I/O inputs: ECAP ports(ECAP0, ECAP1 and ECAP2)
    - ◆ ACMP Trigger
- GDMA (General Direct Memory Access)
  - Two channels
  - Memory to/from memory or APB device
  - Memory to/from USCI TX/RX buffer which supports the hardware trigger
  - Supports “4-data burst” mode to boost performance
- WDT (Watchdog Timer)
  - Programmable clock source and time-out period
  - Supports wake-up function in Power-down mode and Idle mode
  - Interrupt or reset selectable on watchdog time-out
- EPWM
  - Supports a built-in 16-bit PWM clock generators, providing SIX PWM outputs or three complementary paired PWM outputs
  - Shared same as clock source, clock divider, period and dead-zone generator
  - Supports group/independent/complementary modes
  - Supports One-shot or Auto-reload mode
  - Supports Edge-aligned and Center-aligned type
  - Supports Asymmetric mode
  - Programmable dead-zone insertion between complementary channels
  - Each output has independent polarity setting control
  - Hardware fault brake and software brake protections
  - Support three of hardware Brake pin
  - Supports rising, falling, central, period, and fault break interrupts



- Supports duty/period trigger A/D conversion
- Timer comparing matching event trigger PWM to do phase change
- Supports comparator event trigger PWM to force PWM output low for current period
- Provides interrupt accumulation function
- BPWM
  - One 16-bit PWM generator which supports one 8-bit pre-scalar, one clock divider, two PWM timers (down counter) and one dead-zone generator
  - Two independent outputs or one complementary paired outputs.
  - PWM Interrupt request synchronized with PWM period
  - Edge-aligned type or Center-aligned type option
  - Synchronous mode for BPWM and EPWM
- USCI (Universal Serial Control Interface Controller)
  - ◆ Two USCI devices
  - ◆ USCI1 Supports to be configured as UART, SPI or I<sup>2</sup>C individually
  - ◆ USCI2 Supports to be configured as UART and I<sup>2</sup>C individually
  - ◆ Supports programmable baud-rate generator
  - ◆ Supports GDMA transfer
- ADC (Analog-to-Digital Converter)
  - 12-bit ADC with 800ns conversion time
  - Supports 2 S/H (sample/hold)
  - Up to 16-ch single-end input from I/O and one internal input from band-gap.
  - Each input channel has own data register
  - Conversion started either by software trigger, PWM trigger, ACMP trigger or external pin trigger
  - Supports temperature sensor for measurement chip temperature
  - Supports Simultaneous and Sequential continuous conversion.
- OP Amplifier
  - Rail-to-rail OPA x 1
  - Slew rate 6 V/us at least
  - Supports OP1 output as input of ADC and ACMP
- DAC
  - Built-in two 12-bit DAC,
  - Be the reference voltage for ACMP, ADC or output to pins.
- Analog Comparator
  - One analog comparators with 4 reference voltage source
    - Built-in 12-bit DAC0 and DAC1 for comparator reference voltage

- Band-gap voltage
  - External voltage from port pin
  - Supports Hysteresis function 0/20/90/150mV at  $V_{DD} = 5V$
  - Interrupt when compared result changed
- Hardware Divider
  - Signed (two's complement) integer calculation
  - 32-bit dividend with 16-bit divisor calculation capacity
  - 32-bit quotient and 32-bit remainder outputs (16-bit remainder with sign extends to 32-bit)
  - Divided by zero warning flag
  - 6 HCLK clocks taken for one cycle calculation
  - Waiting for calculation ready automatically when reading quotient and remainder
  - Support 3 group of independent dividend, divisor, quotient and remainder registers for three times of calculation capacity
- ISP (In-System Programming) and ICP (In-Circuit Programming)
- BOD (Brown-out Detector)
  - 8 programmable threshold levels: 4.3V/4.0V/3.7V/3.0V/2.7V/2.4V/2.2V/2.0V
  - Supports Brown-out interrupt and reset option
- 96-bit unique ID
- LVR (Low Voltage Reset)
- Operating Temperature:  $-40^{\circ}C \sim 105^{\circ}C$
- Reliability: EFT  $> \pm 4KV$ , ESD HBM pass 8KV
- Packages:
  - Green package (RoHS)
  - 48-pin LQFP(7x7mm), 48-pin QFN(7x7mm), 32-pin QFN(4x4mm)

### 3 ABBREVIATIONS

#### 3.1 Abbreviations

Acronym	Description
ACMP	Analog Comparator Controller
ADC	Analog-to-Digital Converter
AHB	Advanced High-Performance Bus
APB	Advanced Peripheral Bus
BOD	Brown-out Detection
DAC	Digital -to-Analog Converter
DAP	Debug Access Port
EPWM	Enhanced Pulse Width Modulation
FIFO	First In, First Out
FMC	Flash Memory Controller
GPIO	General-Purpose Input/Output
HCLK	The Clock of Advanced High-Performance Bus
HIRC	48 MHz Internal High Speed RC Oscillator
EXT_CLK	External Clock Input
ICP	In Circuit Programming
ISP	In System Programming
ISR	Interrupt Service Routine
LDO	Low Dropout Regulator
LIRC	10 kHz internal low speed RC oscillator (LIRC)
NVIC	Nested Vectored Interrupt Controller
PCLK	The Clock of Advanced Peripheral Bus
PWM	Pulse Width Modulation
GDMA	General direct memory access
SPI	Serial Peripheral Interface
SPS	Samples per Second
TMR	Timer Controller
UART	Universal Asynchronous Receiver/Transmitter
UCID	Unique Customer ID
WDT	Watchdog Timer

Table 3.1-1 List of Abbreviations

## 4 PARTS INFORMATION LIST AND PIN CONFIGURATION

### 4.1 Selection Guide

#### 4.1.1 NuMicro® NM1240 Series Selection Guide

Note: LQFP48: 7x7mm、QFN48: 7x7mm、QFN33: 4x4mm

Part Number	Flash (KB)	SRAM (KB)	ISP Loader ROM (KB)	Data Flash	I/O	Timer	Connectivity			IRC 48/60 MHz	PWM	BPWM	Analog Comp.	OPA	ADC (12-bit)	DAC (12-bit)	Temperature Sensor	ICP/ISPI/AP	Package
							USCI												
							UART	I <sup>2</sup> C	SPI										
NM1244D48	64	8	7.5	√	44	3	2	2	1	1	6	2	1	1	20	2	1	√	LQFP48
NM1244Y48	64	8	7.5	√	44	3	2	2	1	1	6	2	1	1	20	2	1	√	QFN48
NM1244Y	64	8	7.5	√	29	3	2	2	1	1	6	2	1	1	16	2	1	√	QFN33

Table 4.1-1 NuMicro® NM1240 Base Series Selection Guide

## 4.2 Pin Configuration

### 4.2.1 NuMicro® NM1240 Series LQFP48 Diagram

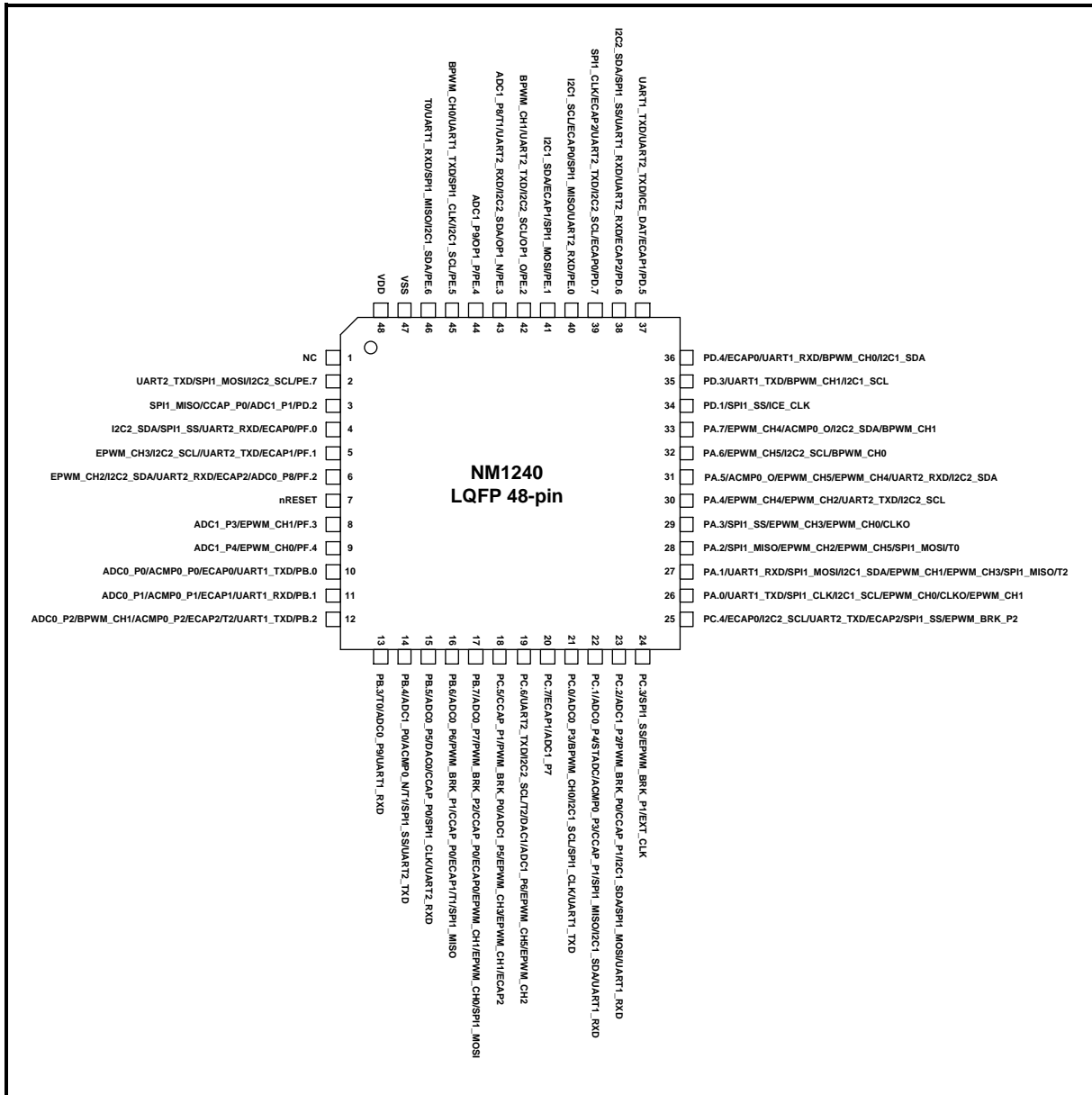


Figure 4.2-1 NuMicro® NM1240 Base Series LQFP 48-pin Diagram

4.2.2 NuMicro® NM1240 Series QFN48 Pin Diagram

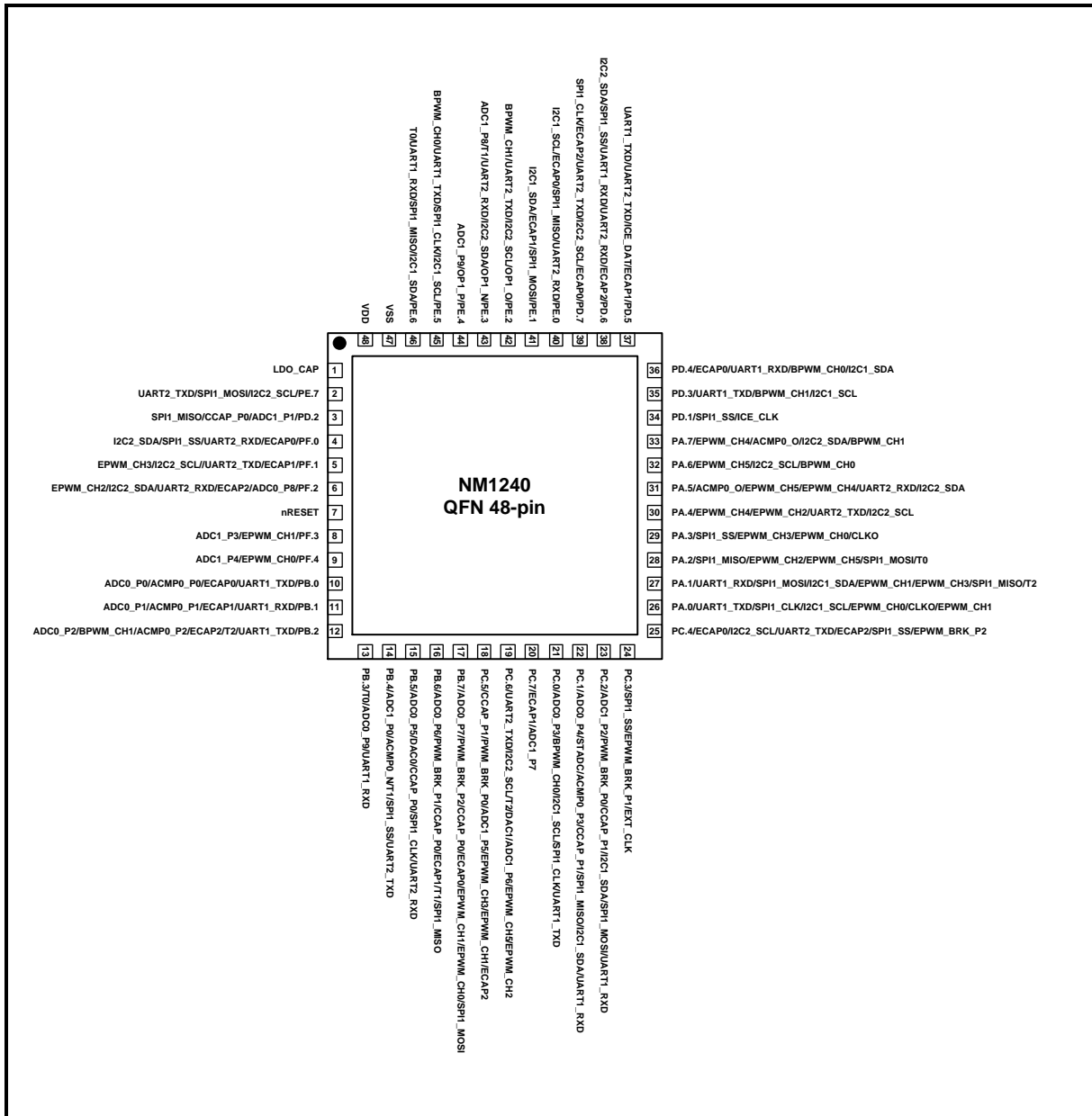


Figure 4.2-2 NuMicro® NM1240 Base Series QFN 48-pin Diagram

4.2.3 NuMicro® NM1240 Series QFN33 Pin Diagram

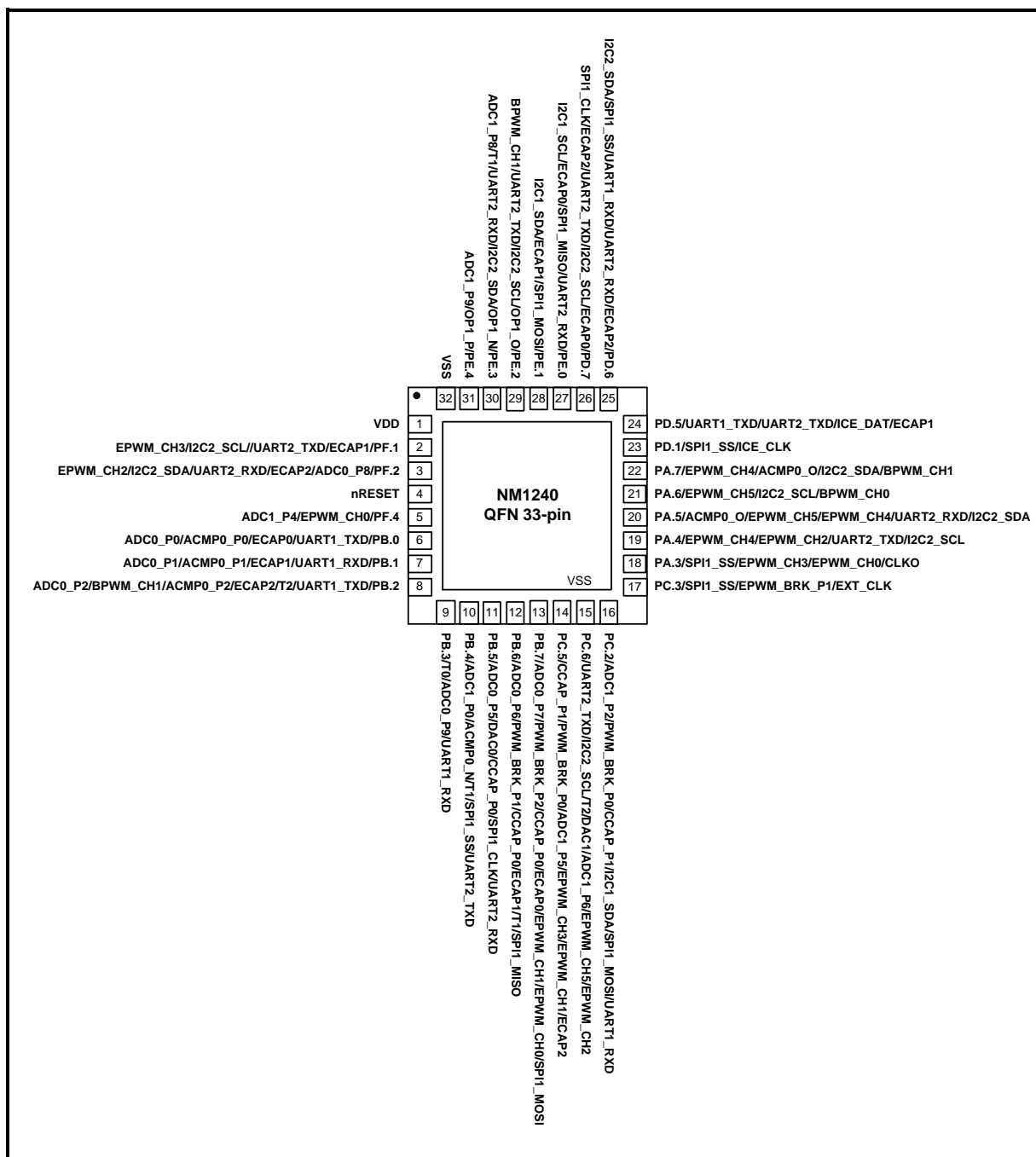


Figure 4.2-3 NuMicro® NM1240 Base Series QFN 33-pin Diagram

### 4.3 Pin Description

#### 4.3.1 NM1240 Series Pin Description Overview

GPIO MFP0	ICE XTAL MFP1	ADC MFP2	PWM MFP3	ACMP0 MFP4	ACMP1 MFP5	PGA(OP) MFP6	TIMER MFP7	I2C MFP8	SPI1 MFP9	UART MFPB	ECAP MFPD	NM1240 MFPE	NM1240 MFPF					
GPA0	CLKO	O	EPWM_CH0	O				PC1_SCL	IO	SPI1_CLK	IO	UART1_TXD	O					
GPA1			EPWM_CH1	O			T2	IO	PC1_SDA	IO	SPI1_MOSI	IO	UART1_RXD	I				
GPA2			EPWM_CH2	O			T0	IO		SPI1_MISO	IO			SPI1_MISO	IO			
GPA3	CLKO	O	EPWM_CH3	O						SPI1_SS	IO			SPI1_MOSI	IO			
GPA4			EPWM_CH4	O					PC2_SCL	IO		UART2_TXD	IO		EPWM_CH0			
GPA5			EPWM_CH5	O	ACMP0_O	O			PC2_SDA	IO		UART2_RXD	IO		EPWM_CH2			
GPA6			EPWM_CH5	O										PC2_SCL	IO			
GPA7			EPWM_CH4	O	ACMP0_O	O								PC2_SDA	IO			
GPB0		ADC0_CH0	A		ACMP0_P0	A					UART1_TXD	O	ECAP0	I				
GPB1		ADC0_CH1	A		ACMP0_P1	A			ECAP1	I		UART1_RXD	I	ECAP1	I			
GPB2		ADC0_CH2	A	BPWM_CH1	O	ACMP0_P2	A			ECAP2	I		UART1_TXD	O	ECAP2	I		
GPB3		ADC0_CH9	A				T0	IO							T2	IO		
GPB4		ADC1_CH0	A		ACMP0_N	A				SPI1_SS	IO	UART2_TXD	IO					
GPB5		ADC0_CH5	A		DAC0	A			CCAP_P0	I		SPI1_CLK	IO	UART2_RXD	IO			
GPB6		ADC0_CH6	A	PWM_BRK_P1	I				CCAP_P0	I		SPI1_MISO	IO		ECAP1	I		
GPB7		ADC0_CH7	A	PWM_BRK_P2	I				CCAP_P0	I		SPI1_MOSI	IO	ECAP0	I	T1	IO	
GPC0		ADC0_CH3	A	BPWM_CH0	O									EPWM_CH0	O	EPWM_CH1		
GPC1		ADC0_CH4	A	STADC	I	ACMP0_P3	A		CCAP_P1	I	PC1_SCL	IO	SPI1_CLK	IO	UART1_TXD	O		
GPC2		ADC1_CH2	A	PWM_BRK_P0	I				CCAP_P1	I	PC1_SDA	IO	SPI1_MISO	IO	UART1_RXD	I		
GPC3	EXT_CLK	I		PWM_BRK_P1	I													
GPC4				PWM_BRK_P2	I				ECAP0	I	PC2_SCL	IO	SPI1_SS	IO	UART2_TXD	IO		
GPC5		ADC1_CH5	A	PWM_BRK_P0	I				CCAP_P1	I				ECAP2	I			
GPC6		ADC1_CH6	A	EPWM_CH2	O				T2	IO	PC2_SCL	IO			EPWM_CH1	O		
GPC7		ADC1_CH7	A												EPWM_CH5			
GPD1	ICE_CLK	I									SPI1_SS	IO						
GPD2		ADC1_CH1	A						CCAP_P0	I		SPI1_MISO	IO					
GPD3				BPWM_CH1	O					PC1_SCL	IO		UART1_TXD	O				
GPD4				BPWM_CH0	O					PC1_SDA	IO		UART1_RXD	I				
GPD5	ICE_DAT	IO										ECAP0	I	ECAP1	I	UART1_TXD	O	
GPD6										PC2_SDA	IO	SPI1_SS	IO	ECAP2	I	UART1_RXD	I	
GPD7								ECAP0	I	PC2_SCL	IO	SPI1_CLK	IO	UART2_TXD	IO	ECAP2	I	
GPE0										PC1_SCL	IO	SPI1_MISO	IO	UART2_RXD	IO	ECAP0	I	
GPE1										PC1_SDA	IO	SPI1_MOSI	IO		ECAP1	I		
GPE2				BPWM_CH1	O					PC2_SCL	IO		UART2_TXD	O				
GPE3		ADC1_CH8	A			OP1_O	A			PC2_SDA	IO		UART2_RXD	I				
GPE4		ADC1_CH9	A			OP1_N	A											
GPE5				BPWM_CH0	O					OP1_P	A							
GPE6												PC1_SCL	IO	SPI1_CLK	IO	UART1_TXD	O	
GPE7												PC1_SDA	IO	SPI1_MISO	IO	UART1_RXD	I	
GPF0												PC2_SCL	IO	SPI1_MOSI	IO	UART2_TXD	IO	
GPF1												PC2_SDA	IO	SPI1_SS	IO	UART2_RXD	IO	
GPF2		ADC0_CH8	A	EPWM_CH3	O							PC2_SCL	IO		UART2_TXD	IO	ECAP0	I
GPF3		ADC1_CH3	A	EPWM_CH2	O							PC2_SDA	IO		UART2_RXD	IO	ECAP1	I
GPF4		ADC1_CH4	A	EPWM_CH1	O												ECAP2	I



### 4.3.2 NM1240 Series Pin Description

MFP\* = Multi-function pin. (Refer to section SYS\_GP<sub>x</sub>\_MFP)

PA.0 MFP0 means SYS\_GPA\_MFP[3:0]=0x0.

PA.4 MFP5 means SYS\_GPA\_MFP[19:16]=0x5.

MFP only configures the output data or input data of PAD, the direction of PAD were configured by PMD.

The priority of MFP in the same multi-function was GPA > GPB > GPC > GPD > GPE > GPF.

The type A of multi-function needs to be configured to be input port.

#### 4.3.2.1 NM1240 Series LQFP48/QFN48/QFN33 Pin Description

QFN33	QFN48/ LQFP48	Pin Name	Type	MFP*	Description
-	1	LDO_CAP/ NC(LQFP48)	A/	MFP0/	LDO output pin. Note: Recommend to connect a 1uF CAP to the pin.
-	2	PE.7	I/O	MFP0	General purpose digital I/O pin.
		I2C2_SCL	I/O	MFP8	I2C2 clock pin.
		SPI1_MOSI	I/O	MFPA	SPI1 MOSI (Master Out, Slave In) pin.
		UART2_TXD	I/O	MFPB	Data transmitter output pin for UART.
-	3	PD.2	I/O	MFP0	General purpose digital I/O pin.
		ADC1_P1	A	MFP2	ADC1 channel analog input.
		CCAP_P0	I	MFP7	Timer Continuous Capture input pin.
		SPI1_MISO	I/O	MFPA	SPI1 MISO (Master In, Slave Out) pin.
-	4	PF.0	I/O	MFP0	General purpose digital I/O pin.
		I2C2_SDA	I/O	MFP8	I2C2 data input/output pin.
		SPI1_SS	I/O	MFPA	SPI1 slave select pin.
		UART2_RXD	I/O	MFPB	Data receiver input pin for UART.
		ECAP0	I	MFPC	Enhanced Input Capture input pin.
2	5	PF.1	I/O	MFP0	General purpose digital I/O pin.
		EPWM_CH3	O	MFP3	EPWM channel3 output/capture input.
		I2C2_SCL	I/O	MFP8	I2C2 clock pin.
		UART2_TXD	I/O	MFPB	Data transmitter output pin for UART.
		ECAP1	I	MFPC	Enhanced Input Capture input pin.
3	6	PF.2	I/O	MFP0	General purpose digital I/O pin.
		ADC0_P8	A	MFP2	ADC0 channel analog input.
		EPWM_CH2	O	MFP3	EPWM channel2 output/capture input.

QFN33	QFN48/ LQFP48	Pin Name	Type	MFP*	Description
		I2C2_SDA	I/O	MFP8	I2C2 data input/output pin.
		UART2_RXD	I/O	MFPB	Data receiver input pin for UART.
		ECAP2	I	MFPC	Enhanced Input Capture input pin.
4	7	nRESET	I	MFP0	External reset input: active LOW, with an internal pull-up. Set this pin low reset to initial state.
		PF.3	I/O	MFP0	General purpose digital I/O pin.
		ADC1_P3	A	MFP2	ADC1 channel analog input.
		EPWM_CH1	O	MFP3	EPWM channel1 output/capture input.
		PF.4	I/O	MFP0	General purpose digital I/O pin.
		ADC1_P4	A	MFP2	ADC1 channel analog input.
		EPWM_CH0	O	MFP3	EPWM channel0 output/capture input.
		PB.0	I/O	MFP0	General purpose digital I/O pin.
		ADC0_P0	A	MFP2	ADC0 channel analog input.
		ACMP0_P0	A	MFP4	Analog comparator0 positive input pin.
		ECAP0	I	MFP7	Enhanced Input Capture input pin.
		UART1_TXD	O	MFPB	Data transmitter output pin for UART.
		ECAP0	I	MFPC	Enhanced Input Capture input pin.
		PB.1	I/O	MFP0	General purpose digital I/O pin.
		ADC0_P1	A	MFP2	ADC0 channel analog input.
		ACMP0_P1	A	MFP4	Analog comparator0 positive input pin.
		ECAP1	I	MFP7	Enhanced Input Capture input pin.
		UART1_RXD	I	MFPB	Data receiver input pin for UART.
		ECAP1	I	MFPC	Enhanced Input Capture input pin.
		PB.2	I/O	MFP0	General purpose digital I/O pin.
		ADC0_P2	A	MFP2	ADC0 channel analog input.
		BPWM_CH1	O	MFP3	BPWM channel1 output/capture input.
		ACMP0_P2	A	MFP4	Analog comparator0 positive input pin.
		ECAP2	I	MFP7	Enhanced Input Capture input pin.
		UART1_TXD	O	MFPB	Data transmitter output pin for UART.
		ECAP2	I	MFPC	Enhanced Input Capture input pin.
		T2	I/O	MFPE	Timer2 event counter input / toggle output.
9	13	PB.3	I/O	MFP0	General purpose digital I/O pin.

QFN33	QFN48/ LQFP48	Pin Name	Type	MFP*	Description
		ADC0_P9	A	MFP2	ADC0 channel analog input.
		T0	I/O	MFP7	Timer0 event counter input / toggle output.
		UART1_RXD	I	MFPB	Data receiver input pin for UART.
10	14	PB.4	I/O	MFP0	General purpose digital I/O pin.
		ADC1_P0	A	MFP2	ADC1 channel analog input.
		ACMP0_N	A	MFP4	Analog comparator0 negative input pin.
		T1	I/O	MFP7	Timer1 event counter input / toggle output.
		SPI1_SS	I/O	MFPA	SPI1 slave select pin.
		UART2_TXD	I/O	MFPB	Data transmitter output pin for UART.
11	15	PB.5	I/O	MFP0	General purpose digital I/O pin.
		ADC0_P5	A	MFP2	ADC0 channel analog input.
		DAC0	A	MFP4	DAC0 analog output.
		CCAP_P0	I	MFP7	Timer Continuous Capture input pin.
		SPI1_CLK	I/O	MFPA	SPI1 serial clock pin.
		UART2_RXD	I/O	MFPB	Data receiver input pin for UART.
12	16	PB.6	I/O	MFP0	General purpose digital I/O pin.
		ADC0_P6	A	MFP2	ADC0 channel analog input.
		PWM_BRK_P1	I	MFP3	Brake input pin of EPWM.
		CCAP_P0	I	MFP7	Timer Continuous Capture input pin.
		SPI1_MISO	I/O	MFPA	SPI1 MISO (Master In, Slave Out) pin.
		ECAP1	I	MFPC	Enhanced Input Capture input pin.
		T1	I/O	MFPE	Timer1 event counter input / toggle output.
13	17	PB.7	I/O	MFP0	General purpose digital I/O pin.
		ADC0_P7	A	MFP2	ADC0 channel analog input.
		PWM_BRK_P2	I	MFP3	Brake input pin of EPWM.
		CCAP_P0	I	MFP7	Timer Continuous Capture input pin.
		SPI1_MOSI	I/O	MFPA	SPI1 MOSI (Master Out, Slave In) pin.
		ECAPO	I	MFPC	Enhanced Input Capture input pin.
		EPWM_CH0	O	MFPE	EPWM channel0 output/capture input.
		EPWM_CH1	O	MFPF	EPWM channel1 output/capture input.
14	18	PC.5	I/O	MFP0	General purpose digital I/O pin.

QFN33	QFN48/ LQFP48	Pin Name	Type	MFP*	Description
		ADC1_P5	A	MFP2	ADC1 channel analog input.
		PWM_BRK_P0	I	MFP3	Brake input pin of EPWM.
		CCAP_P1	I	MFP7	Timer Continuous Capture input pin.
		ECAP2	I	MFPC	Enhanced Input Capture input pin.
		EPWM_CH1	O	MFPE	EPWM channel1 output/capture input.
		EPWM_CH3	O	MFPF	EPWM channel3 output/capture input.
15	19	PC.6	I/O	MFP0	General purpose digital I/O pin.
		ADC1_P6	A	MFP2	ADC1 channel analog input.
		EPWM_CH2	O	MFP3	EPWM channel2 output/capture input.
		DAC1	O	MFP5	DAC1 analog output.
		T2	I/O	MFP7	Timer2 event counter input / toggle output.
		I2C2_SCL	I/O	MFP8	I2C2 clock pin.
		UART2_TXD	I/O	MFPB	Data transmitter output pin for UART.
-	20	PC.7	I/O	MFP0	General purpose digital I/O pin.
		ADC1_P7	A	MFP2	ADC1 channel analog input.
		ECAP1	I	MFPC	Enhanced Input Capture input pin.
-	21	PC.0	I/O	MFP0	General purpose digital I/O pin.
		ADC0_P3	A	MFP2	ADC0 channel analog input.
		BPWM_CH0	O	MFP3	BPWM channel0 output/capture input.
		I2C1_SCL	I/O	MFP8	I2C1 clock pin.
		SPI1_CLK	I/O	MFPA	SPI1 serial clock pin.
UART1_TXD	O	MFPB	Data transmitter output pin for UART.		
-	22	PC.1	I/O	MFP0	General purpose digital I/O pin.
		ADC0_P4	A	MFP2	ADC0 channel analog input.
		STADC	I	MFP3	ADC external trigger input.
		ACMP0_P3	A	MFP4	Analog comparator0 positive input pin.
		CCAP_P1	I	MFP7	Timer Continuous Capture input pin.
		I2C1_SDA	I/O	MFP8	I2C1 data input/output pin.
		SPI1_MISO	I/O	MFPA	SPI1 MISO (Master In, Slave Out) pin.
		UART1_RXD	I	MFPB	Data receiver input pin for UART.

QFN33	QFN48/ LQFP48	Pin Name	Type	MFP*	Description
16	23	PC.2	I/O	MFP0	General purpose digital I/O pin.
		ADC1_P2	A	MFP2	ADC1 channel analog input.
		PWM_BRK_P0	I	MFP3	Brake input pin of EPWM.
		CCAP_P1	I	MFP7	Timer Continuous Capture input pin.
		I2C1_SDA	I/O	MFP8	I2C1 data input/output pin.
		SPI1_MOSI	I/O	MFPA	SPI1 MOSI (Master Out, Slave In) pin.
		UART1_RXD	I	MFPB	Data receiver input pin for UART.
17	24	PC.3	I/O	MFP0	General purpose digital I/O pin.
		EXT_CLK	I	MFP1	External oscillator input pin.
		PWM_BRK_P1	I	MFP3	Brake input pin of EPWM.
		SPI1_SS	I/O	MFPA	SPI1 slave select pin.
-	25	PC.4	I/O	MFP0	General purpose digital I/O pin.
		PWM_BRK_P2	I	MFP3	Brake input pin of EPWM.
		ECAP0	I	MFP7	Enhanced Input Capture input pin.
		I2C2_SCL	I/O	MFP8	I2C2 clock pin.
		SPI1_SS	I/O	MFPA	SPI1 slave select pin.
		UART2_TXD	I/O	MFPB	Data transmitter output pin for UART.
-	26	EPWM_CH2	I	MFP3	Enhanced Input Capture input pin.
		PA.0	I/O	MFP0	General purpose digital I/O pin.
		CLKO	O	MFP1	Clock Out.
		EPWM_CH0	O	MFP3	EPWM channel0 output/capture input.
		I2C1_SCL	I/O	MFP8	I2C1 clock pin.
		SPI1_CLK	I/O	MFPA	SPI1 serial clock pin.
		UART1_TXD	O	MFPB	Data transmitter output pin for UART.
EPWM_CH1	O	MFPF	EPWM channel1 output/capture input.		
-	27	PA.1	I/O	MFP0	General purpose digital I/O pin.
		EPWM_CH1	O	MFP3	EPWM channel1 output/capture input.
		T2	I/O	MFP7	Timer2 event counter input / toggle output.
		I2C1_SDA	I/O	MFP8	I2C1 data input/output pin.
		SPI1_MOSI	I/O	MFPA	SPI1 MOSI (Master Out, Slave In) pin.
		UART1_RXD	I	MFPB	Data receiver input pin for UART.

QFN33	QFN48/ LQFP48	Pin Name	Type	MFP*	Description
		SPI1_MISO	I/O	MFPE	SPI1 MISO (Master In, Slave Out) pin.
		EPWM_CH3	O	MFPF	EPWM channel3 output/capture input.
	28	PA.2	I/O	MFP0	General purpose digital I/O pin.
		EPWM_CH2	O	MFP3	EPWM channel2 output/capture input.
		T0	I/O	MFP7	Timer0 event counter input / toggle output.
		SPI1_MISO	I/O	MFPA	SPI1 MISO (Master In, Slave Out) pin.
		SPI1_MOSI	I/O	MFPE	SPI1 MOSI (Master Out, Slave In) pin.
		EPWM_CH5	O	MFPF	EPWM channel5 output/capture input.
18	29	PA.3	I/O	MFP0	General purpose digital I/O pin.
		CLKO	O	MFP1	Clock Out.
		EPWM_CH3	O	MFP3	EPWM channel3 output/capture input.
		SPI1_SS	I/O	MFPA	SPI1 slave select pin.
		EPWM_CH0	O	MFPF	EPWM channel0 output/capture input.
19	30	PA.4	I/O	MFP0	General purpose digital I/O pin.
		EPWM_CH4	O	MFP3	EPWM channel4 output/capture input.
		I2C2_SCL	I/O	MFP8	I2C2 clock pin.
		UART2_TXD	I/O	MFPB	Data transmitter output pin for UART.
		EPWM_CH2	O	MFPF	EPWM channel2 output/capture input.
20	31	PA.5	I/O	MFP0	General purpose digital I/O pin.
		EPWM_CH5	O	MFP3	EPWM channel5 output/capture input.
		ACMP0_O	O	MFP4	Analog comparator0 output.
		I2C2_SDA	I/O	MFP8	I2C2 data input/output pin.
		UART2_RXD	I/O	MFPB	Data receiver input pin for UART.
		EPWM_CH4	O	MFPF	EPWM channel4 output/capture input.
21	32	PA.6	I/O	MFP0	General purpose digital I/O pin.
		EPWM_CH5	O	MFP3	EPWM channel5 output/capture input.
		I2C2_SCL	I/O	MFPE	I2C2 clock pin.
		BPWM_CH0	O	MFPF	BPWM channel0 output/capture input.
22	33	PA.7	I/O	MFP0	General purpose digital I/O pin.
		EPWM_CH4	O	MFP3	EPWM channel4 output/capture input.
		ACMP0_O	O	MFP4	Analog comparator0 output.

QFN33	QFN48/ LQFP48	Pin Name	Type	MFP*	Description
		I2C2_SDA	I/O	MFPE	I2C2 data input/output pin.
		BPWM_CH1	O	MFPF	BPWM channel1 output/capture input.
23	34	PD.1	I/O	MFP0	General purpose digital I/O pin.
		ICE_CLK	I	MFP1	Serial wired debugger clock pin.
		SPI1_SS	I/O	MFPA	SPI1 slave select pin.
-	35	PD.3	I/O	MFP0	General purpose digital I/O pin.
		BPWM_CH1	O	MFP3	BPWM channel1 output/capture input.
		I2C1_SCL	I/O	MFP8	I2C1 clock pin.
		UART1_TXD	O	MFPB	Data transmitter output pin for UART.
-	36	PD.4	I/O	MFP0	General purpose digital I/O pin.
		BPWM_CH0	O	MFP3	BPWM channel0 output/capture input.
		I2C1_SDA	I/O	MFP8	I2C1 data input/output pin.
		UART1_RXD	I	MFPB	Data receiver input pin for UART.
		ECAP0	I	MFPC	Enhanced Input Capture input pin.
24	37	PD.5	I/O	MFP0	General purpose digital I/O pin.
		ICE_DAT	I/O	MFP1	Serial wired debugger data pin.
		ECAP1	I	MFPC	Enhanced Input Capture input pin.
		UART1_TXD	O	MFPE	Data transmitter output pin for UART.
		UART2_TXD	I/O	MFPF	Data transmitter output pin for UART.
25	38	PD.6	I/O	MFP0	General purpose digital I/O pin.
		I2C2_SDA	I/O	MFP8	I2C2 data input/output pin.
		SPI1_SS	I/O	MFPA	SPI1 slave select pin.
		ECAP2	I	MFPC	Enhanced Input Capture input pin.
		UART1_RXD	I	MFPE	Data receiver input pin for UART.
		UART2_RXD	I/O	MFPF	Data receiver input pin for UART.
26	39	PD.7	I/O	MFP0	General purpose digital I/O pin.
		ECAP0	I	MFP7	Enhanced Input Capture input pin.
		I2C2_SCL	I/O	MFP8	I2C2 clock pin.
		SPI1_CLK	I/O	MFPA	SPI1 serial clock pin.
		UART2_TXD	I/O	MFPB	Data transmitter output pin for UART.
		ECAP2	I	MFPC	Enhanced Input Capture input pin.

QFN33	QFN48/ LQFP48	Pin Name	Type	MFP*	Description
27	40	PE.0	I/O	MFP0	General purpose digital I/O pin.
		I2C1_SCL	I/O	MFP8	I2C1 clock pin.
		SPI1_MOSI	I/O	MFPA	SPI1 MOSI (Master Out, Slave In) pin.
		UART2_RXD	I/O	MFPB	Data receiver input pin for UART.
		ECAPO	I	MFPC	Enhanced Input Capture input pin.
28	41	PE.1	I/O	MFP0	General purpose digital I/O pin.
		I2C1_SDA	I/O	MFP8	I2C1 data input/output pin.
		SPI1_MISO	I/O	MFPA	SPI1 MISO (Master In, Slave Out) pin.
		ECAP1	I	MFPC	Enhanced Input Capture input pin.
29	42	PE.2	I/O	MFP0	General purpose digital I/O pin.
		BPWM_CH1	O	MFP3	BPWM channel1 output/capture input.
		OP1_O	A	MFP6	Operational Amplifier output pin.
		I2C2_SCL	I/O	MFP8	I2C2 clock pin.
		UART2_TXD	O	MFPB	Data transmitter output pin for UART.
30	43	PE.3	I/O	MFP0	General purpose digital I/O pin.
		ADC1_P8	A	MFP2	ADC1 channel analog input.
		OP1_N	A	MFP6	Operational Amplifier Negative input pin.
		T1	I/O	MFP7	Timer1 event counter input / toggle output.
		I2C2_SDA	I/O	MFP8	I2C2 data input/output pin.
		UART2_RXD	I	MFPB	Data receiver input pin for UART.
31	44	PE.4	I/O	MFP0	General purpose digital I/O pin.
		ADC1_P9	A	MFP2	ADC1 channel analog input.
		OP1_P	A	MFP6	Operational Amplifier Positive input pin.
-	45	PE.5	I/O	MFP0	General purpose digital I/O pin.
		BPWM_CH0	O	MFP3	BPWM channel0 output/capture input.
		I2C1_SCL	I/O	MFP8	I2C1 clock pin.
		SPI1_CLK	I/O	MFPA	SPI1 serial clock pin.
		UART1_TXD	O	MFPB	Data transmitter output pin for UART.
-	46	PE.6	I/O	MFP0	General purpose digital I/O pin.
		T0	I/O	MFP7	Timer0 event counter input / toggle output.
		I2C1_SDA	I/O	MFP8	I2C1 data input/output pin.



QFN33	QFN48/ LQFP48	Pin Name	Type	MFP*	Description
		SPI1_MISO	I/O	MFPA	SPI1 MISO (Master In, Slave Out) pin.
		UART1_RXD	I	MFPB	Data receiver input pin for UART.
32	47	VSS	PWR	MFPO	Ground pin for digital circuit.
1	48	VDD	PWR	MFPO	Power supply for I/O ports and LDO source for internal PLL and digital function.

Table 4.3-1 LQFP48/QFN48/QFN33 Pin Description

**Note:**

1. Do not leave the pins ICE\_CLK and ICE\_DAT in floating when MCU is in operatoin. User may refer to one of the following methods
  - a. Add external pull-up or pull-low resistors at pins.
  - b. Set the 2 pins in Quasi-mode and output high to be equivelant to internal pull high.
  - c. Enable internal pull-up by setting PD\_PHEN[1] = 1b ∙ PD\_PHEN[5] = 1b.
  - d. Be wired to other deivce without floating at pins.

### 4.3.3 GPIO Multi-function Pin Summary

MFP\* = Multi-function pin. (Refer to section SYS\_GP<sub>x</sub>\_MFP)

PA.0 MFP0 means SYS\_GPA\_MFP[3:0]=0x0.

PA.4 MFP5 means SYS\_GPA\_MFP[19:16]=0x5.

Group	Pin Name	GPIO	MFP*	Type	Description
ACMP0	ACMP0_P0	PB.0	MFP4	A	Comparator0 positive input pin.
	ACMP0_P1	PB.1	MFP4	A	Comparator0 positive input pin.
	ACMP0_P2	PB.2	MFP4	A	Comparator0 positive input pin.
	ACMP0_P3	PC.1	MFP4	A	Comparator0 positive input pin.
	ACMP0_N	PB.4	MFP4	A	Comparator0 negative input pin.
	ACMP0_O		PA.7	MFP4	O
PA.5			MFP4	O	Comparator0 output pin.
STADC	STADC	PC.1	MFP3	I	External ADC trigger input pin.
ADC0	ADC0_P0	PB.0	MFP2	A	ADC0 analog input port 0.
	ADC0_P1	PB.1	MFP2	A	ADC0 analog input port 1.
	ADC0_P2	PB.2	MFP2	A	ADC0 analog input port 2.
	ADC0_P3	PC.0	MFP2	A	ADC0 analog input port 3.
	ADC0_P4	PC.1	MFP2	A	ADC0 analog input port 4.
	ADC0_P5	PB.5	MFP2	A	ADC0 analog input port 5.
	ADC0_P6	PB.6	MFP2	A	ADC0 analog input port 6.
	ADC0_P7	PB.7	MFP2	A	ADC0 analog input port 7.
	ADC0_P8	PF.2	MFP2	A	ADC0 analog input port 8.
	ADC0_P9	PB.3	MFP2	A	ADC0 analog input port 9.
ADC1	ADC1_P0	PB.4	MFP2	A	ADC1 analog input port 0.
	ADC1_P1	PD.2	MFP2	A	ADC1 analog input port 1.
	ADC1_P2	PC.2	MFP2	A	ADC1 analog input port 2.
	ADC1_P3	PF.3	MFP2	A	ADC1 analog input port 3.
	ADC1_P4	PF.4	MFP2	A	ADC1 analog input port 4.
	ADC1_P5	PC.5	MFP2	A	ADC1 analog input port 5.
	ADC1_P6	PC.6	MFP2	A	ADC1 analog input port 6.
	ADC1_P7	PC.7	MFP2	A	ADC1 analog input port 7.
	ADC1_P8	PE.3	MFP2	A	ADC1 analog input port 8.
ADC1_P9	PE.4	MFP2	A	ADC1 analog input port 9.	
CLKO	CLKO	PA.0	MFP1	O	Clock output pin.

Group	Pin Name	GPIO	MFP*	Type	Description
		PA.3	MFP1	O	Clock output pin.
BPWM	BPWM_CH0	PA.6	MFPF	O	Basic PWM channel 0 output
		PC.0	MFP3	O	Basic PWM channel 0 output
		PD.4	MFP3	O	Basic PWM channel 0 output
		PE.5	MFP3	O	Basic PWM channel 0 output
	BPWM_CH1	PA.7	MFPF	O	Basic PWM channel 1 output
		PB.2	MFP3	O	Basic PWM channel 1 output
		PD.3	MFP3	O	Basic PWM channel 1 output
		PE.2	MFP3	O	Basic PWM channel 1 output
CCAP	CCAP_P0	PB.5	MFP7	I	Continuous Capture Input
		PB.6	MFP7	I	Continuous Capture Input
		PB.7	MFP7	I	Continuous Capture Input
		PD.2	MFP7	I	Continuous Capture Input
	CCAP_P1	PC.1	MFP7	I	Continuous Capture Input
		PC.2	MFP7	I	Continuous Capture Input
ECAP	ECAP_P0	PB.0	MFP7,MFPC	I	Input capture channel 0
		PB.7	MFPC	I	Input capture channel 0
		PC.4	MFP7	I	Input capture channel 0
		PD.4	MFPC	I	Input capture channel 0
		PD.7	MFP7	I	Input capture channel 0
		PE.0	MFPC	I	Input capture channel 0
		PF.0	MFPC	I	Input capture channel 0
	ECAP_P1	PB.1	MFP7,MFPC	I	Input capture channel 1
		PB.6	MFPC	I	Input capture channel 1
		PC.7	MFPC	I	Input capture channel 1
		PD.5	MFPC	I	Input capture channel 1
		PE.1	MFPC	I	Input capture channel 1
		PF.1	MFPC	I	Input capture channel 1
	ECAP_P2	PB.2	MFP7,MFPC	I	Input capture channel 2
		PC.4	MFPC	I	Input capture channel 2
PC.5		MFPC	I	Input capture channel 2	
PD.6		MFPC	I	Input capture channel 2	
PD.7		MFPC	I	Input capture channel 2	

Group	Pin Name	GPIO	MFP*	Type	Description	
		PF.2	MFPC	I	Input capture channel 2	
EPWM	PWM_BRK_P0	PC.2	MFP3	I	EPWM brake pin.	
		PC.5	MFP3	I	EPWM brake pin.	
	PWM_BRK_P1	PB.6	MFP3	I	EPWM brake pin.	
		PC.3	MFP3	I	EPWM brake pin.	
	PWM_BRK_P2	PB.7	MFP3	I	EPWM brake pin.	
		PC.4	MFP3	I	EPWM brake pin.	
	EPWM_CH5		PA.2	MFPF	O	Enhanced PWM output pin.
			PA.5	MFP3	O	Enhanced PWM output pin.
			PA.6	MFP3	O	Enhanced PWM output pin.
			PC.5	MFPF	O	Enhanced PWM output pin.
	EPWM_CH4		PA.4	MFP3	O	Enhanced PWM output pin.
			PA.5	MFPF	O	Enhanced PWM output pin.
			PA.7	MFP3	O	Enhanced PWM output pin.
	EPWM_CH3		PA.1	MFPF	O	Enhanced PWM output pin.
			PA.3	MFP3	O	Enhanced PWM output pin.
			PC.5	MFPF	O	Enhanced PWM output pin.
			PF.1	MFP3	O	Enhanced PWM output pin.
	EPWM_CH2		PA.2	MFP3	O	Enhanced PWM output pin.
			PA.4	MFPF	O	Enhanced PWM output pin.
			PC.6	MFP3	O	Enhanced PWM output pin.
			PF.2	MFP3	O	Enhanced PWM output pin.
	EPWM_CH1		PA.0	MFPF	O	Enhanced PWM output pin.
			PA.1	MFP3	O	Enhanced PWM output pin.
			PB.7	MFPF	O	Enhanced PWM output pin.
			PC.5	MFPE	O	Enhanced PWM output pin.
			PF.3	MFP3	O	Enhanced PWM output pin.
	EPWM_CH0		PA.0	MFP3	O	Enhanced PWM output pin.
			PA.3	MFPF	O	Enhanced PWM output pin.
			PB.7	MFPE	O	Enhanced PWM output pin.
			PF.4	MFP3	O	Enhanced PWM output pin.
	nRESET	nRESET	--	--	I	External reset pin, internal pull-high.
	I2C1	I2C1_SCL	PA.0	MFP8	I/O	I <sup>2</sup> C1 clock pin.
PC.0			MFP8	I/O	I <sup>2</sup> C1 clock pin.	

Group	Pin Name	GPIO	MFP*	Type	Description
		PD.3	MFP8	I/O	I <sup>2</sup> C1 clock pin.
		PE.0	MFP8	I/O	I <sup>2</sup> C1 clock pin.
		PE.5	MFP8	I/O	I <sup>2</sup> C1 clock pin.
	I2C1_SDA	PA.1	MFP8	I/O	I <sup>2</sup> C1 data pin.
		PC.1	MFP8	I/O	I <sup>2</sup> C1 data pin.
		PC.2	MFP8	I/O	I <sup>2</sup> C1 data pin.
		PD.4	MFP8	I/O	I <sup>2</sup> C1 data pin.
		PE.1	MFP8	I/O	I <sup>2</sup> C1 data pin.
		PE.6	MFP8	I/O	I <sup>2</sup> C1 data pin.
I2C2	I2C2_SCL	PA.4	MFP8	I/O	I <sup>2</sup> C2 clock pin.
		PA.6	MFPE	I/O	I <sup>2</sup> C2 clock pin.
		PC.4	MFP8	I/O	I <sup>2</sup> C2 clock pin.
		PC.6	MFP8	I/O	I <sup>2</sup> C2 clock pin.
		PD.7	MFP8	I/O	I <sup>2</sup> C2 clock pin.
		PE.2	MFP8	I/O	I <sup>2</sup> C2 clock pin.
		PE.7	MFP8	I/O	I <sup>2</sup> C2 clock pin.
		PF.1	MFP8	I/O	I <sup>2</sup> C2 clock pin.
	I2C2_SDA	PA.5	MFP8	I/O	I <sup>2</sup> C2 data pin.
		PA.7	MFPE	I/O	I <sup>2</sup> C2 data pin.
		PD.6	MFP8	I/O	I <sup>2</sup> C2 data pin.
		PE.3	MFP8	I/O	I <sup>2</sup> C2 data pin.
		PF.0	MFP8	I/O	I <sup>2</sup> C2 data pin.
		PF.2	MFP8	I/O	I <sup>2</sup> C2 data pin.
DAC	DAC0	PB.5	MFP4	A	DAC0 analog output pin.
	DAC1	PC.6	MFP5	A	DAC1 analog output pin.
OP	OP1_O	PE.2	MFP6	A	OP1 analog output pin.
	OP1_N	PE.3	MFP6	A	OP1 analog input pin.
	OP1_P	PE.4	MFP6	A	OP1 analog input pin.
SPI1	SPI1_MOSI	PA.1	MFPA	I/O	SPI1 MOSI (Master Out, Slave In) pin.
		PA.2	MFPE	I/O	SPI1 MOSI (Master Out, Slave In) pin.
		PB.7	MFPA	I/O	SPI1 MOSI (Master Out, Slave In) pin.
		PC.2	MFPA	I/O	SPI1 MOSI (Master Out, Slave In) pin.
		PE.1	MFPA	I/O	SPI1 MOSI (Master Out, Slave In) pin.
		PE.7	MFPA	I/O	SPI1 MOSI (Master Out, Slave In) pin.

Group	Pin Name	GPIO	MFP*	Type	Description
	SPI1_MISO	PA.1	MFPE	I/O	SPI1 MISO (Master In, Slave Out) pin
		PA.2	MFPA	I/O	SPI1 MISO (Master In, Slave Out) pin
		PB.6	MFPA	I/O	SPI1 MISO (Master In, Slave Out) pin
		PC.1	MFPA	I/O	SPI1 MISO (Master In, Slave Out) pin
		PD.2	MFPA	I/O	SPI1 MISO (Master In, Slave Out) pin
		PE.0	MFPA	I/O	SPI1 MISO (Master In, Slave Out) pin
		PE.6	MFPA	I/O	SPI1 MISO (Master In, Slave Out) pin
	SPI1_CLK	PA.0	MFPA	I/O	SPI1 clock pin.
		PB.5	MFPA	I/O	SPI1 clock pin.
		PC.0	MFPA	I/O	SPI1 clock pin.
		PD.7	MFPA	I/O	SPI1 clock pin.
		PE.5	MFPA	I/O	SPI1 clock pin.
	SPI1_SS	PA.3	MFPA	I/O	SPI1 Slave Select
		PB.4	MFPA	I/O	SPI1 Slave Select
		PC.3	MFPA	I/O	SPI1 Slave Select
		PC.4	MFPA	I/O	SPI1 Slave Select
		PD.1	MFPA	I/O	SPI1 Slave Select
		PD.6	MFPA	I/O	SPI1 Slave Select
		PF.0	MFPA	I/O	SPI1 Slave Select
TIMER0	T0	PA.2	MFP7	I	Timer0 event counter input / toggle output
		PB.3	MFP7	I	Timer0 event counter input / toggle output
		PE.6	MFP7	I	Timer0 event counter input / toggle output
TIMER1	T1	PB.4	MFP7	I	Timer1 event counter input / toggle output
		PB.6	MFPE	I	Timer1 event counter input / toggle output
		PE.3	MFP7	I	Timer1 event counter input / toggle output
TIMER2	T2	PA.1	MFP7	I	Timer2 event counter input / toggle output
		PB.2	MFPE	I	Timer2 event counter input / toggle output
		PC.6	MFP7	I	Timer2 event counter input / toggle output
EXT_OSC	EXT_CLK	PC.3	MFP1	A	External oscillator input pin.
UART1	UART1_TXD	PA.0	MFPB	O	UART1 data transmitter output pin.
		PB.0	MFPB	O	UART1 data transmitter output pin.
		PB.2	MFPB	O	UART1 data transmitter output pin.
		PC.0	MFPB	O	UART1 data transmitter output pin.
		PD.3	MFPB	O	UART1 data transmitter output pin.

Group	Pin Name	GPIO	MFP*	Type	Description
		PD.5	MFPE	O	UART1 data transmitter output pin.
		PE.5	MFPB	O	UART1 data transmitter output pin.
	UART1_RXD	PA.1	MFPB	I	UART1 data receiver input pin.
		PB.1	MFPB	I	UART1 data receiver input pin.
		PB.3	MFPB	I	UART1 data receiver input pin.
		PC.1	MFPB	I	UART1 data receiver input pin.
		PC.2	MFPB	I	UART1 data receiver input pin.
		PD.4	MFPB	I	UART1 data receiver input pin.
		PD.6	MFPE	I	UART1 data receiver input pin.
		PE.6	MFPB	I	UART1 data receiver input pin.
UART2	UART2_TXD	PA.4	MFPB	O	UART2 data transmitter output pin.
		PB.4	MFPB	O	UART2 data transmitter output pin.
		PC.4	MFPB	O	UART2 data transmitter output pin.
		PC.6	MFPB	O	UART2 data transmitter output pin.
		PD.5	MFPF	O	UART2 data transmitter output pin.
		PD.7	MFPB	O	UART2 data transmitter output pin.
		PE.2	MFPB	O	UART2 data transmitter output pin.
		PE.7	MFPB	O	UART2 data transmitter output pin.
		PF.1	MFPB	O	UART2 data transmitter output pin.
	UART2_RXD	PA.5	MFPB	I	UART2 data receiver input pin.
		PB.5	MFPB	I	UART2 data receiver input pin.
		PD.6	MFPF	I	UART2 data receiver input pin.
		PE.0	MFPB	I	UART2 data receiver input pin.
		PE.3	MFPB	I	UART2 data receiver input pin.
ICE	ICE_DAT	PD.5	MFP1	I/O	Serial wired debugger data pin
	ICE_CLK	PD.1	MFP1	I	Serial wired debugger clock pin

Table 4.3-2 LQFP48/QFN48/QFN33 Multi-function Pin Summary

## 5 BLOCK DIAGRAM

### 5.1 NuMicro® NM1240 Block Diagram

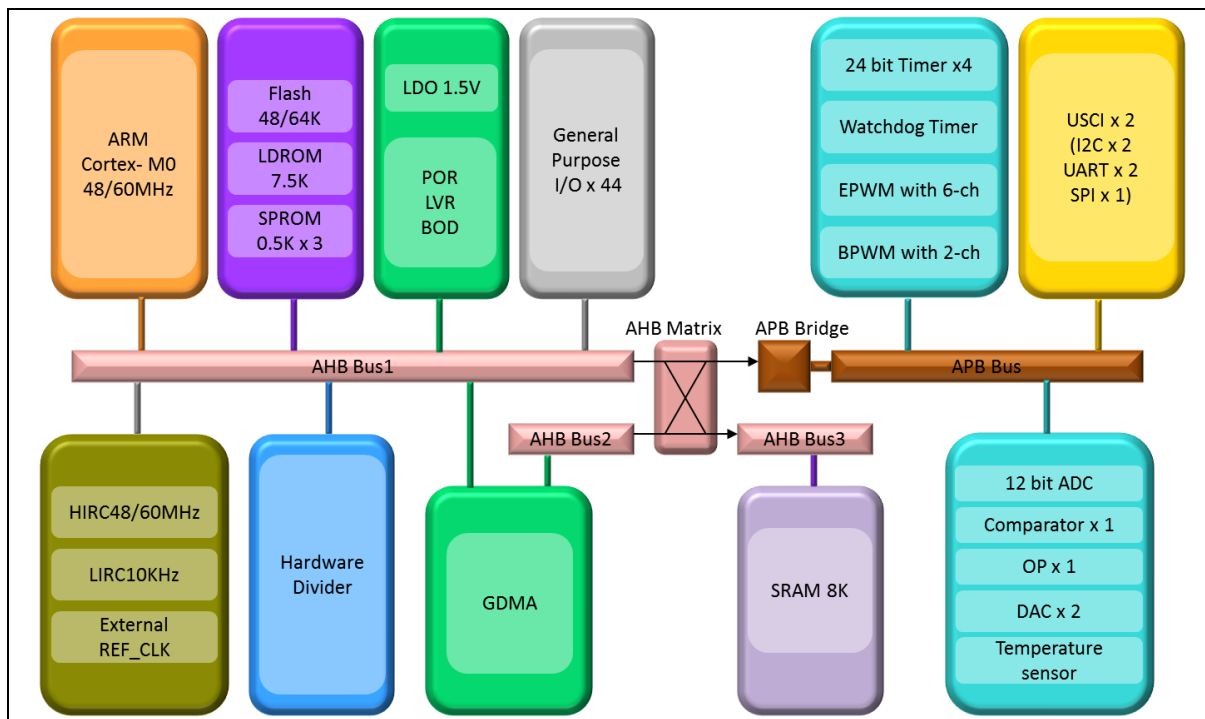


Figure 5.1-1 NuMicro® NM1240 Block Diagram



## 6 ELECTRICAL CHARACTERISTICS

For information on the NM1240 series electrical characteristics, please refer to NuMicro® NM1240 Series Datasheet.

### 6.1 Absolute Maximum Ratings

Symbol	Parameter	Min	Max	Unit
$V_{DD}-V_{SS}$	DC Power Supply	-0.3	+7.0	V
$V_{IN}$	Input Voltage	$V_{SS}-0.3$	$V_{DD}+0.3$	V
$1/t_{CLCL}$	Oscillator Frequency	-	24	MHz
$T_A$	Operating Temperature	-40	+105	°C
$T_{ST}$	Storage Temperature	-55	+150	°C
$I_{DD}$	Maximum Current into $V_{DD}$	-	120	mA
$I_{SS}$	Maximum Current out of $V_{SS}$	-	120	mA
$I_{IO}$	Maximum Current sunk by an I/O pin	-	35	mA
	Maximum Current sourced by an I/O pin	-	35	mA
	Maximum Current sunk by total I/O pins	-	300	mA
	Maximum Current sourced by total I/O pins	-	300	mA

**Note:** Exposure to conditions beyond those listed under absolute maximum ratings may adversely affects the life and reliability of the device.

6.2 DC Electrical Characteristics

( $V_{DD} - V_{SS} = 2.2 \sim 5.5 \text{ V}$ ,  $T_A = 25^\circ\text{C}$ )

Symbol	Parameter	Min	Typ	Max	Unit	Test Conditions			
$V_{DD}$	Operation voltage	2.2	-	5.5	V	$V_{DD} = 2.2\text{V} \sim 5.5\text{V}$ up to 48 MHz $V_{DD} = 3.0\text{V} \sim 5.5\text{V}$ up to 60 MHz			
$V_{SS}$	Power Ground	-0.3	-	-	V				
$V_{LDO}$	LDO Output Voltage		1.5		V				
$V_{BG}$	Band-gap Voltage <sup>3</sup>	1.21	1.23	1.25	V	$V_{DD} = 2.2\text{V} \sim 5.5\text{V}$ , $T_A = -40^\circ\text{C} \sim 105^\circ\text{C}$			
$I_{DD}$	Operating Current Normal Run Mode	-	14.9	-	mA	$V_{DD}$	EXT_CLK	HIRC	All Digital Modules
						5.5V	X	60 MHz	V
$I_{DD}$	HCLK = 60 MHz while(1){}	-	10.3	-	mA	5.5V	X	60 MHz	X
$I_{DD}$	Executed from Flash	-	14.9	-	mA	3V	X	60 MHz	V
$I_{DD}$		-	10.3	-	mA	3V	X	60 MHz	X
$I_{DD}$	Operating Current Normal Run Mode	-	10.4	-	mA	$V_{DD}$	EXT_CLK	HIRC	All Digital Modules
						5.5V	X	48 MHz	V
$I_{DD}$	HCLK = 48 MHz while(1){}	-	7.3	-	mA	5.5V	X	48 MHz	X
$I_{DD}$	Executed from Flash	-	10.4	-	mA	3V	X	48 MHz	V
$I_{DD}$		-	7.3	-	mA	3V	X	48 MHz	X
$I_{DD}$	Operating Current Normal Run Mode	-	5.4	-	mA	$V_{DD}$	EXT_CLK	HIRC	All Digital Modules
						5.5V	24 MHz	X	V
$I_{DD}$	HCLK = 24 MHz while(1){}	-	4.1	-	mA	5.5V	24 MHz	X	X
$I_{DD}$	Executed from Flash	-	5.4	-	mA	3V	24 MHz	X	V
$I_{DD}$		-	4.1	-	mA	3V	24 MHz	X	X
$I_{DD}$	Operating Current Normal Run Mode	-	3.9	-	mA	$V_{DD}$	EXT_CLK	HIRC	All Digital Modules
						5.5V	16 MHz	X	V
$I_{DD}$	HCLK = 16 MHz while(1){}	-	3.0	-	mA	5.5V	16 MHz	X	X
$I_{DD}$	Executed from Flash	-	3.9	-	mA	3V	16 MHz	X	V
$I_{DD}$		-	3.9	-	mA	3V	16 MHz	X	V

I <sub>DD</sub>		-	3.0	-	mA	3V	16 MHz	X	X
I <sub>DD</sub>	Operating Current Normal Run Mode	-	3.1	-	mA	V <sub>DD</sub>	EXT_CLK	HIRC	All Digital Modules
						5.5V	12 MHz	X	V
I <sub>DD</sub>	HCLK = 12 MHz while(1){}	-	2.5	-	mA	5.5V	12 MHz	X	X
I <sub>DD</sub>	Executed from Flash	-	3.1	-	mA	3V	12 MHz	X	V
I <sub>DD</sub>		-	2.4	-	mA	3V	12 MHz	X	X
I <sub>DD</sub>	Operating Current Normal Run Mode	-	1.5	-	mA	V <sub>DD</sub>	EXT_CLK	HIRC	All Digital Modules
						5.5V	4 MHz	X	V
I <sub>DD</sub>	HCLK = 4 MHz while(1){}	-	1.3	-	mA	5.5V	4 MHz	X	X
I <sub>DD</sub>	Executed from Flash	-	1.4	-	mA	3V	4 MHz	X	V
I <sub>DD</sub>		-	1.2	-	mA	3V	4 MHz	X	X
I <sub>DD</sub>	Operating Current Normal Run Mode	-	184	-	μA	V <sub>DD</sub>	EXT_CLK	LIRC	All Digital Modules
						5.5V	32 KHz	V	V <sup>[1]</sup>
I <sub>DD</sub>	HCLK = 32 kHz while(1){}	-	182	-	μA	5.5V	32 KHz	V	X
I <sub>DD</sub>	Executed from Flash	-	164	-	μA	3V	32 KHz	V	V <sup>[1]</sup>
I <sub>DD</sub>		-	162	-	μA	3V	32 KHz	V	X
I <sub>DD</sub>	Operating Current Normal Run Mode	-	178	-	μA	V <sub>DD</sub>	EXT_CLK	LIRC	All Digital Modules
						5.5V	X	10 KHz	V <sup>[2]</sup>
I <sub>DD</sub>	HCLK = 10 kHz while(1){}	-	178	-	μA	5.5V	X	10 KHz	X
I <sub>DD</sub>	Executed from Flash	-	158	-	μA	3V	X	10 KHz	V <sup>[2]</sup>
I <sub>DD</sub>		-	158	-	μA	3V	X	10 KHz	X
I <sub>IDLE</sub>	Operating Current Idle Mode	-	8.3	-	mA	V <sub>DD</sub>	EXT_CLK	HIRC	All Digital Modules
						5.5V	X	V	V
I <sub>IDLE</sub>	HCLK= 60 MHz	-	3.6	-	mA	5.5V	X	V	X
I <sub>IDLE</sub>		-	8.3	-	mA	3V	X	V	V

I <sub>IDLE</sub>		-	3.6	-	mA	3V	X	V	X
I <sub>IDLE</sub>	Operating Current	-	5.7	-	mA	V <sub>DD</sub>	EXT_CLK	HIRC	All Digital Modules
						5.5V	X	V	V
I <sub>IDLE</sub>	Idle Mode HCLK= 48 MHz	-	2.6	-	mA	5.5V	X	V	X
I <sub>IDLE</sub>		-	5.7	-	mA	3V	X	V	V
I <sub>IDLE</sub>		-	2.6	-	mA	3V	X	V	X
I <sub>IDLE</sub>	Operating Current	-	2.9	-	mA	V <sub>DD</sub>	EXT_CLK	HIRC	All Digital Modules
						5.5V	24 MHz	X	V
I <sub>IDLE</sub>	Idle Mode HCLK = 24 MHz	-	1.6	-	mA	5.5V	24 MHz	X	X
I <sub>IDLE</sub>		-	2.9	-	mA	3V	24 MHz	X	V
I <sub>IDLE</sub>		-	1.6	-	mA	3V	24 MHz	X	X
I <sub>IDLE</sub>	Operating Current	-	2.2	-	mA	V <sub>DD</sub>	EXT_CLK	HIRC	All Digital Modules
						5.5V	V	X	V
I <sub>IDLE</sub>	Idle Mode HCLK = 16 MHz	-	1.3	-	mA	5.5V	V	X	X
I <sub>IDLE</sub>		-	2.1	-	mA	3V	V	X	V
I <sub>IDLE</sub>		-	1.3	-	mA	3V	V	X	X
I <sub>IDLE</sub>	Operating Current	-	1.8	-	mA	V <sub>DD</sub>	EXT_CLK	HIRC	All Digital Modules
						5.5V	V	X	V
I <sub>IDLE</sub>	Idle Mode HCLK = 12 MHz	-	1.1	-	mA	5.5V	V	X	X
I <sub>IDLE</sub>		-	1.7	-	mA	3V	V	X	V
I <sub>IDLE</sub>		-	1.1	-	mA	3V	V	X	X
I <sub>IDLE</sub>	Operating Current	-	1.0	-	mA	V <sub>DD</sub>	EXT_CLK	HIRC	All Digital Modules
						5.5V	V	X	V
I <sub>IDLE</sub>	Idle Mode HCLK = 4 MHz	-	0.8	-	mA	5.5V	V	X	X
I <sub>IDLE</sub>		-	1.0	-	mA	3V	V	X	V

$I_{IDLE}$		-	0.7	-	mA	3V	V	X	X
$I_{IDLE}$	Operating Current	-	147	-	$\mu A$	$V_{DD}$	EXT_CLK	LIRC	All Digital Modules
						5.5V	X	V	$V^{[2]}$
$I_{IDLE}$	Idle Mode HCLK = 10 kHz	-	147	-	$\mu A$	5.5V	X	V	X
$I_{IDLE}$		-	127	-	$\mu A$	3V	X	V	$V^{[2]}$
$I_{IDLE}$		-	126	-	$\mu A$	3V	X	V	X
$I_{PWD}$	Standby Current	-	1	-	$\mu A$	$V_{DD} = 5.5 V$ , All oscillators and analog blocks turned off.			
$I_{PWD}$	Power-down Mode (Deep Sleep Mode)	-	0.8	-	$\mu A$	$V_{DD} = 3 V$ , All oscillators and analog blocks turned off.			
$I_{LK}$	Input Leakage Current	-1	-	+1	$\mu A$	$V_{DD} = 5.5 V$ , $0 < V_{IN} < V_{DD}$ Open-drain or input only mode			
$V_{IL1}$	Input Low Voltage (TTL Input)	0.8	1.42		V	$V_{DD} = 5.5 V$			
		0.8	1.08			$V_{DD} = 3.3 V$			
$V_{IH1}$	Input High Voltage (TTL Input)		1.42	2.0	V	$V_{DD} = 5.5 V$			
			1.08	2.0		$V_{DD} = 3.3 V$			
$V_{ILS}$	Negative-going Threshold (Schmitt Input), nRESET	-	-	$0.3V_{DD}$	V	-			
$V_{IHS}$	Positive-going Threshold (Schmitt Input), nRESET	$0.7V_{DD}$	-	-	V	-			
$R_{UP}^{[3]}$	Internal Pull-up Resistor (PA/PB/PC/PD/PE/PF)		51		k $\Omega$	$V_{DD} = 5.0V$			
$R_{LOW}^{[3]}$	Internal Pull-low Resistor (PA/PB/PC/PD/PE/PF)		51		k $\Omega$	$V_{DD} = 5.0V$			
$R_{RST}$	Internal nRESET Pin Pull-up Resistor	48		148	k $\Omega$	$V_{DD} = 2.2 V \sim 5.5V$			
$V_{ILS}$	Negative-going Threshold (Schmitt input)	-	-	$0.3V_{DD}$	V	-			
$V_{IHS}$	Positive-going Threshold (Schmitt input)	$0.7V_{DD}$	-	-	V	-			
$I_{IL}$	Logic 0 Input Current (Quasi-bidirectional Mode)	-	-63.65		$\mu A$	$V_{DD} = 5.5 V$ , $V_{IN} = 0V$			
$I_{TL}$	Logic 1 to 0 Transition Current	-	-566.7	-	$\mu A$	$V_{DD} = 5.5 V$			
$I_{SR}$	Source Current (Quasi-bidirectional Mode)	-	-372	-	$\mu A$	$V_{DD} = 4.5 V$ , $V_{IN} = 2.4 V$			
$I_{SR}$		-	-76.8	-	$\mu A$	$V_{DD} = 2.7 V$ , $V_{IN} = 2.2 V$			
$I_{SR}$		-	-37.3	-	$\mu A$	$V_{DD} = 2.2 V$ , $V_{IN} = 1.8 V$			

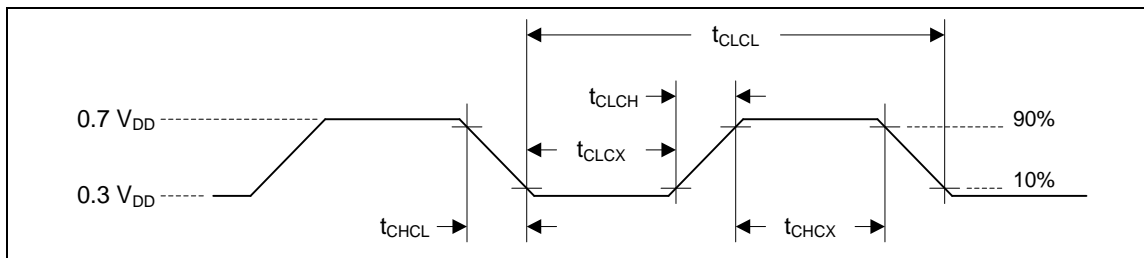
$I_{SR}$		-	-19.2	-	mA	$V_{DD} = 4.5\text{ V}, V_{IN} = 2.4\text{ V}$
$I_{SR}$	Source Current (Push-pull Mode)	-	-4	-	mA	$V_{DD} = 2.7\text{ V}, V_{IN} = 2.2\text{ V}$
$I_{SR}$		-	-2	-	mA	$V_{DD} = 2.2\text{ V}, V_{IN} = 1.8\text{ V}$
$I_{SK}$		-	12.8	-	mA	$V_{DD} = 4.5\text{ V}, V_{IN} = 0.4\text{ V}$
$I_{SK}$		-	8.1	-	mA	$V_{DD} = 2.7\text{ V}, V_{IN} = 0.4\text{ V}$
$I_{SK13}$	Sink PA/PB/PC/PD Current (Quasi-bidirectional, Open-Drain and Push-pull Mode)	-	6	-	mA	$V_{DD} = 2.2\text{ V}, V_{IN} = 0.4\text{ V}$

**Notes:**

1. Only enable modules, which support 32 kHz EXT\_CLK source
2. Only enable modules, which support 10 kHz LIRC clock source.
3. Guaranteed by design, not test in production.

### 6.3 AC Electrical Characteristics

#### 6.3.1 External Input Clock



Note: Duty cycle is 50%.

Symbol	Parameter	Min	Typ	Max	Unit	Test Conditions
t <sub>CHCX</sub>	Clock High Time	10	-	-	ns	-
t <sub>CLCX</sub>	Clock Low Time	10	-	-	ns	-
t <sub>CLCH</sub>	Clock Rise Time	2	-	15	ns	-
t <sub>CHCL</sub>	Clock Fall Time	2	-	15	ns	-

#### 6.3.2 External Clock Input (EXT\_CLK) (up to 24MHz)

Symbol	Parameter	Min.	Typ.	Max	Unit	Test Conditions
V <sub>EXT_CLK</sub>	Operation Voltage	2.2	-	5.5	V	-
T <sub>A</sub>	Temperature	-40	-	105	°C	-
F <sub>EXT_CLK</sub>	Clock Frequency	-	-	24	MHz	-

#### 6.3.3 48/60 MHz Internal High Speed RC Oscillator (HIRC)

Symbol	Parameter	Min	Typ	Max	Unit	Test Conditions
V <sub>HRC</sub>	Supply Voltage	-	1.5	-	V	-
f <sub>HRC60</sub>	Center Frequency	-	60	-	MHz	-
	Calibrated Internal Oscillator Frequency	-1.0	-	+1.0	%	T <sub>A</sub> = 25 °C V <sub>DD</sub> =4.5 V~ 5.5 V
f <sub>HRC48</sub>	Center Frequency	-	48	-	MHz	-
	Calibrated Internal Oscillator Frequency	-1.0	-	+1.0	%	T <sub>A</sub> = -40°C ~105°C V <sub>DD</sub> =3.0 V~ 5.5 V

		-2.5	-	2.5	%	$T_A = -40^{\circ}\text{C} \sim 105^{\circ}\text{C}$ $V_{DD} = 2.2\text{ V} \sim 5.5\text{ V}$
--	--	------	---	-----	---	---

### 6.3.4 10 kHz Internal Low Speed RC Oscillator (LIRC)

Symbol	Parameter	Min	Typ	Max	Unit	Test Conditions
$V_{LRC}$	Supply Voltage	-	1.5V	-	V	-
$f_{LRC}$	Center Frequency	-	10	-	kHz	-
	Oscillator Frequency	-5 <sup>[1]</sup>	-	+5 <sup>[1]</sup>	%	$V_{DD} = 2.2\text{ V} \sim 5.5\text{ V}$ $T_A = -40^{\circ}\text{C} \sim +105^{\circ}\text{C}$

**Note1:** These parameters are characterized but not tested.



## 6.4 Analog Characteristics

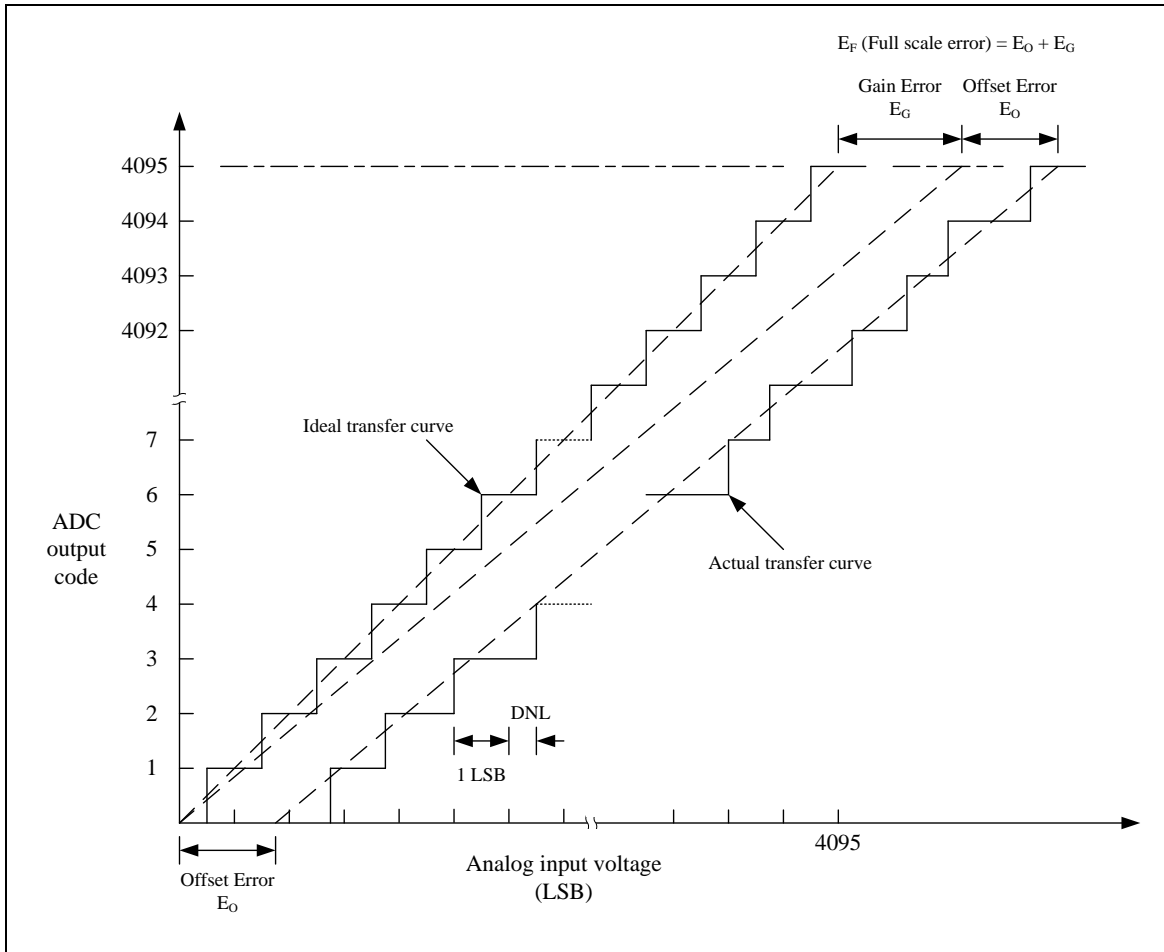
### 6.4.1 12-bit SAR ADC

( $V_{DD} - V_{SS} = 2.5 \sim 5.5 \text{ V}$ ,  $T_A = -40 \sim 105^\circ\text{C}$ )

Symbol	Parameter	Min	Typ	Max	Unit	Test Condition
-	Resolution	-	-	12	Bit	-
DNL	Differential Nonlinearity Error	-	2	-	LSB	$V_{DD} = 3.0 \sim 5.5 \text{ V}$
INL	Integral Nonlinearity Error	-	$\pm 2$	-	LSB	$V_{DD} = 3.0 \sim 5.5 \text{ V}$
$E_O$	Offset Error	-	$\pm 1$	-	LSB	$V_{DD} = 3.0 \sim 5.5 \text{ V}$
$E_G$	Gain Error (Transfer Gain)	-	-1	-	LSB	$V_{DD} = 3.0 \sim 5.5 \text{ V}$
$E_A$	Absolute Error	-	$\pm 3$	-	LSB	$V_{DD} = 3.0 \sim 5.5 \text{ V}$
-	Monotonic	Guaranteed			-	-
$T_{ACQ}$	Acquisition Time (Sample Stage)	N+1			$1/F_{ADC}$	$V_{DD} = 3.0 \sim 5.5 \text{ V}$ N is sampling counter, N=1~1024
		300			ns	$V_{DD} = 3.0 \sim 5.5 \text{ V}$
$T_{CONV}$	Conversion Time <sup>3</sup>		800	1000	ns	$V_{DD} = 3.0 \sim 5.5 \text{ V}$
$I_{DDA}$	Operation Current (Avg.)	-	1	-	mA	$V_{DD} = 5.5 \text{ V}$
$V_{IN}$	Analog Input Voltage	0	-	$V_{DD}$	V	-
$C_{IN}$	Input Capacitance <sup>2</sup>	-	1.6	-	pF	-

Note:

1. ADC voltage reference is same with  $V_{DD}$ .
2. It's for sample and hold. The maximum value depends on process variation. Basically, the variation of  $C_{IN}$  is less than about 10% of typical value.
3. Guaranteed by design, not test in production. The conversion time is upto auto-completion of analog comparison in ADC IP and the typical value is about 800ns at  $V_{DD} = 5V$ .



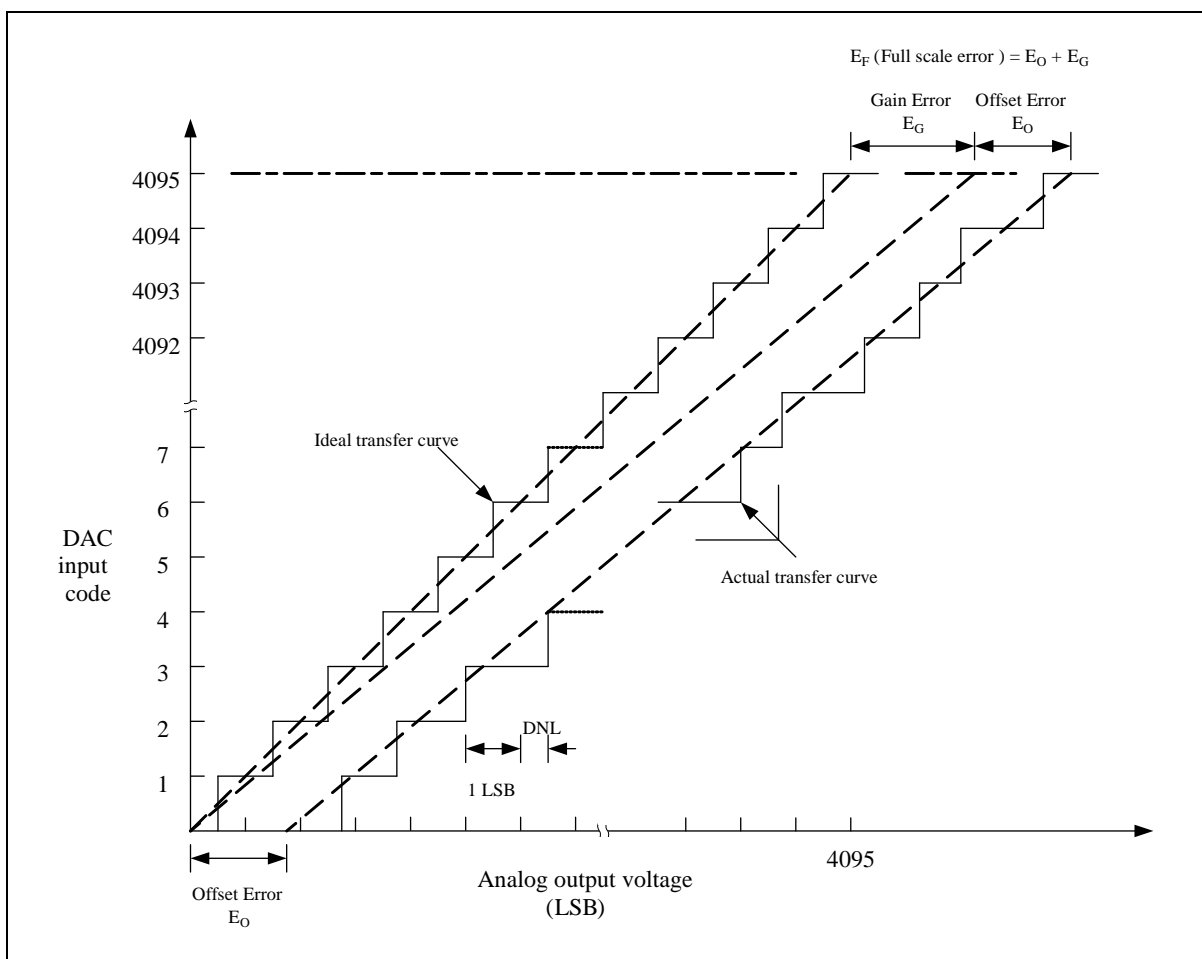
6.4.2 12-bit SAR DAC

( $V_{DD} - V_{SS} = 2.5 \sim 5.5 \text{ V}$ ,  $T_A = -40 \sim 105^\circ\text{C}$ )

Symbol	Parameter	Min	Typ	Max	Unit	Test Condition
-	Resolution	-	-	12	Bit	-
DNL	Differential Nonlinearity Error	-	$\pm 4$	-	LSB	$V_{DD} = 5\text{V}$
INL	Integral Nonlinearity Error	-	$\pm 3$	-	LSB	$V_{DD} = 5\text{V}$
$E_O$	Offset Error	-	3	-	LSB	$V_{DD} = 5\text{V}$
$E_G$	Gain Error (Transfer Gain)	-	3	-	LSB	$V_{DD} = 5\text{V}$
$I_{DDA}$	Operation Current (Avg.)	-	100	-	$\mu\text{A}$	$V_{DD} = 5\text{V}$
$V_{out}$	Analog output Voltage	0	-	$V_{DD}$	V	-

Note:

1. DAC voltage reference is the same with  $V_{DD}$ .



**6.4.3 DAC Output buffer**

( $V_{DD} - V_{SS} = 2.5 \sim 5.5 \text{ V}$ ,  $T_A = -40 \sim 105^\circ\text{C}$ )

Parameter	Min	Typ	Max	Unit	Test Condition
Input offset voltage	-	2	5	mV	
Output swing	0.1	-	$V_{DD}-0.1$	V	
Input common mode range	0.1	-	$V_{DD}-0.1$	V	
DC gain	-	80	-	dB	
Slew rate	3.0	-	-	V/us	$V_{DD} = 5\text{V}$ , $R_{LOAD} = 33\text{K}$ , $C_{LOAD} = 50\text{p}$
Output Current		3		mA	$V_{DD} - 0.3 \sim V_{SS} + 0.3$ , $V_{DD} = 3 \sim 5\text{V}$
Power consumption		200		uA	$V_{DD} = 5\text{V}$

#### 6.4.4 LDO & Power Management

( $V_{DD} - V_{SS} = 2.2 \sim 5.5 \text{ V}$ ,  $T_A = -40 \sim 105^\circ\text{C}$ )

Symbol	Parameter	Min	Typ	Max	Unit	Test Condition
$V_{LDO}$	Output Voltage	1.35	1.5	1.65	V	-

**Notes:**

It is recommended a 0.1 $\mu\text{F}$  bypass capacitor is connected between  $V_{DD}$  and the closest  $V_{SS}$  pin of the device.

#### 6.4.5 Brown-out Detector

( $V_{DD} - V_{SS} = 0 \sim 5.5 \text{ V}$ ,  $T_A = -40 \sim 105^\circ\text{C}$ )

Symbol	Parameter	Min	Typ	Max	Unit	Test Condition
$V_{BOD}$	Brown-out Hysteresis	30	100	150	mV	
$V_{BOD}$	Brown-out Detector	4.15	4.3	4.45	V	BOV_VL [2:0] = 7
		3.85	4.0	4.15	V	BOV_VL [2:0] = 6
		3.55	3.7	3.85	V	BOV_VL [2:0] = 5
		2.85	3.0	3.15	V	BOV_VL [2:0] = 4
		2.55	2.7	2.85	V	BOV_VL [2:0] = 3
		2.3	2.4	2.5	V	BOV_VL [2:0] = 2
		2.1	2.2	2.3	V	BOV_VL [2:0] = 1
		1.9	2.0	2.1	V	BOV_VL [2:0] = 0

#### 6.4.6 Power-on Reset

( $V_{DD} - V_{SS} = 0 \sim 5.5 \text{ V}$ ,  $T_A = -40 \sim 105^\circ\text{C}$ )

Symbol	Parameter	Min	Typ	Max	Unit	Test Condition
$V_{POR}$	Threshold Voltage	1.60	1.75	1.90	V	-
$V_{LVRLPM}$	Threshold Voltage(Low Power)	1.3	1.6	2.1	V	-

#### 6.4.7 LVR Reset

( $V_{DD} - V_{SS} = 0 \sim 5.5 \text{ V}$ ,  $T_A = -40 \sim 105^\circ\text{C}$ )

Symbol	Parameter	Min	Typ	Max	Unit	Test Condition
$V_{LVR}$	Threshold Voltage(high $\rightarrow$ low)	1.7	1.9	2.1	V	-
$V_{LVRHYS}$	Hysteresis Voltage	-	-	100	mV	

### 6.4.8 Comparator

( $V_{DD} - V_{SS} = 2.2 \sim 5.5 \text{ V}$ ,  $T_A = -40 \sim 105^\circ\text{C}$ )

Symbol	Parameter	Min	Typ	Max	Unit	Test Condition
$V_{OFF}$	Input Offset Voltage		$\pm 10$		mV	-
$V_{SW}$	Output Swing	0	-	$V_{DD}$	V	-
$V_{COM}$	Input Common Mode Range	0.1	-	$V_{DD} - 0.1$	V	-
-	DC Gain <sup>(1)</sup>	-	60	-	dB	-
$T_{PGD}$	Propagation Delay	-	200	-	ns	
$V_{HYS}$	Hysteresis	10	20	30	mV	ACMPHYSEN = 01
$V_{HYS}$	Hysteresis	60	90	120	mV	ACMPHYSEN = 10
$V_{HYS}$	Hysteresis	95	150	200	mV	ACMPHYSEN = 11
$T_{STB}$	Stable time	-	1.06	-	$\mu\text{s}$	

**Notes:**

Guaranteed by design, not test in production.

### 6.4.9 OP Amplifier

( $V_{DD} - V_{SS} = 2.2 \sim 5.5 \text{ V}$ ,  $T_A = -40 \sim 105^\circ\text{C}$ )

Parameter	Min	Typ	Max	Unit	Test Condition
Input offset voltage	-	2	5	mV	
Output swing	0.1	-	$V_{DD} - 0.1$	V	
Input common mode range	0.1	-	$V_{DD} - 0.1$	V	
DC gain	-	80	-	dB	
PSRR+	-	90	-	dB	$V_{DD} = 5\text{V}$
CMRR	-	90	-	dB	$V_{DD} = 5\text{V}$
Slew rate	6.0	-	-	V/ $\mu\text{s}$	$V_{DD} = 5\text{V}$ , $R_{LOAD} = 33\text{K}$ , $C_{LOAD} = 50\text{p}$
Wake up time	-	-	1	$\mu\text{s}$	
Maximum output voltage swing from rail		20		mV	$V_{DD} = 5.5$ , $R_L = 10\text{K}$
		100		mV	$V_{DD} = 5.5$ , $R_L = 2\text{K}$
Open-loop output implement		200		ohm	$V_{DD} = 5$ , $f = 10\text{MHz}$
Close-loop output implement		95		ohm	$V_{DD} = 5$ , $f = 10\text{MHz}$

**6.4.10 Temperature Sensor**

( $V_{DD} - V_{SS} = 2.2 \sim 5.5 \text{ V}$ ,  $T_A = -40 \sim 105^\circ\text{C}$ )

Symbol	Parameter	Min	Typ	Max	Unit	Test Condition
TA	Temperature	-40	-	105	°C	
-	Gain <sup>1</sup> ,	-	-1.81	-	mV/°C	
-	Offset <sup>1,2</sup>	-	715	-	mV	TA = 0 °C

**Note:**

1. The temperature sensor formula for the output voltage (Vtemp) is list as below equation.  
 $V_{temp} \text{ (mV)} = \text{Gain (mV/}^\circ\text{C)} \times \text{Temperature (}^\circ\text{C)} + \text{Offset (mV)}$
2. The Gain and Offset may have some drift for different chips. Register SYS\_TSOFFSET is a reference data measured by ADC in factory test.

**6.4.11 ESD Characteristics**

Symbol	Ratings	Condition	Package	Maximum Value	Unit
V <sub>ESD</sub>	Electrostatic discharge (Human body mode)	TA = + 25 °C	LQFP 48	8000	V
	Electrostatic discharge (Charged Device mode)			500	V

**6.4.12 EFT Characteristics**

Symbol	Condition	Package	Pass Level	Unit
	F <sub>sys</sub>			
	HIRC	LQFP 48	+/- 4000	V

### 6.5 Flash DC Electrical Characteristics

Symbol	Parameter	Min	Typ	Max	Unit	Test Condition
V <sub>FLA</sub> <sup>[2]</sup>	Supply Voltage	1.35	1.5	1.65	V	
N <sub>ENDUR</sub>	Endurance	20,000	-	-	cycles <sup>[1]</sup>	
T <sub>RET</sub>	Data Retention	10	-	-	year	T <sub>A</sub> =85°C
T <sub>ERASE</sub>	Sector Erase Time	-	-	5	ms	
T <sub>PROG</sub>	Program Time	-	5	6.5	us	Per Byte
I <sub>DD1</sub>	Read Current	-	4	5.5	mA	@50MHz
I <sub>DD2</sub>	Program Current	-	-	3.5	mA	
I <sub>DD3</sub>	Erase Current	-	-	2	mA	

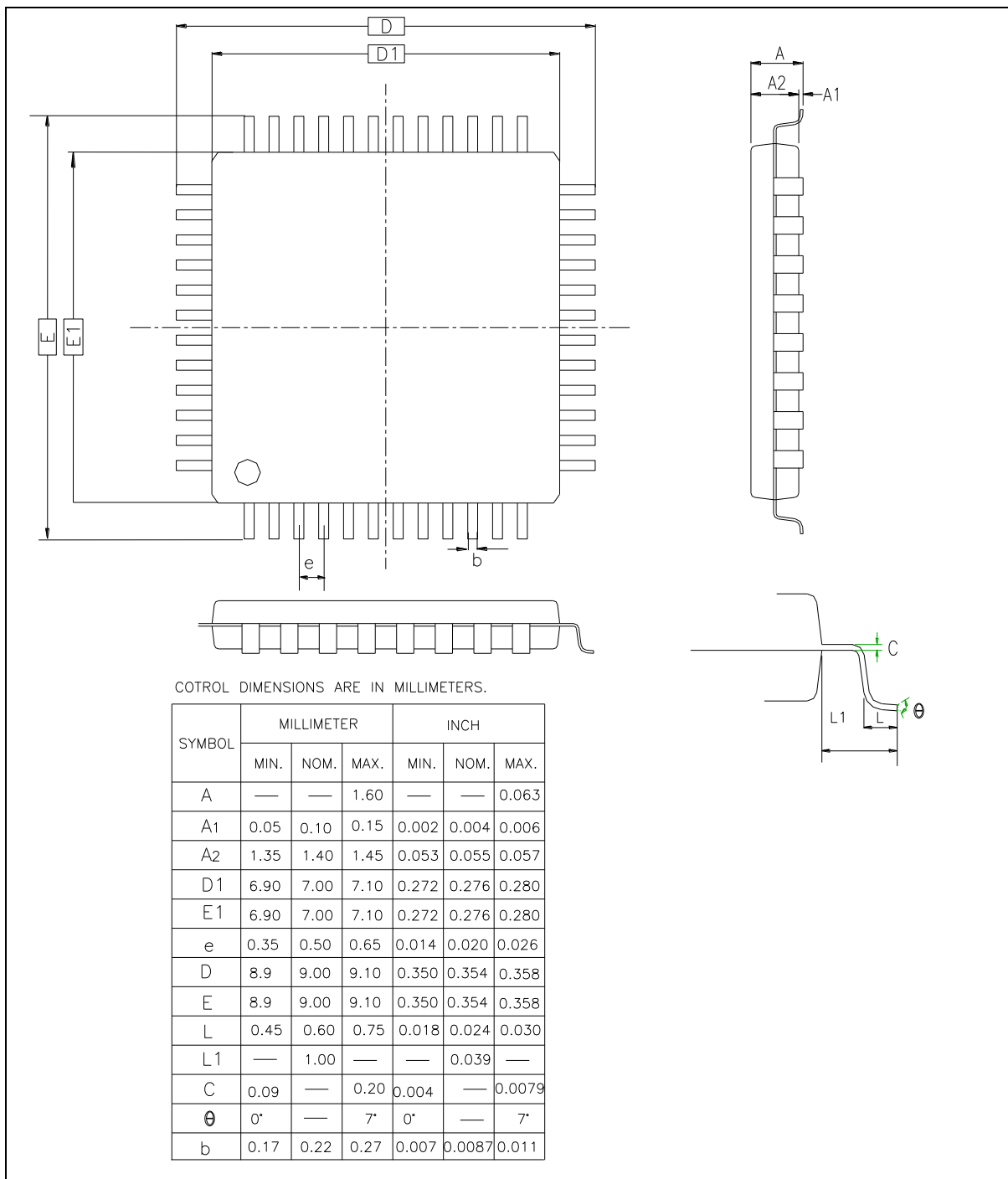
**Notes:**

1. Number of program/erase cycles.
2. V<sub>FLA</sub> is source from chip LDO output voltage.  
Guaranteed by design, not test in production.

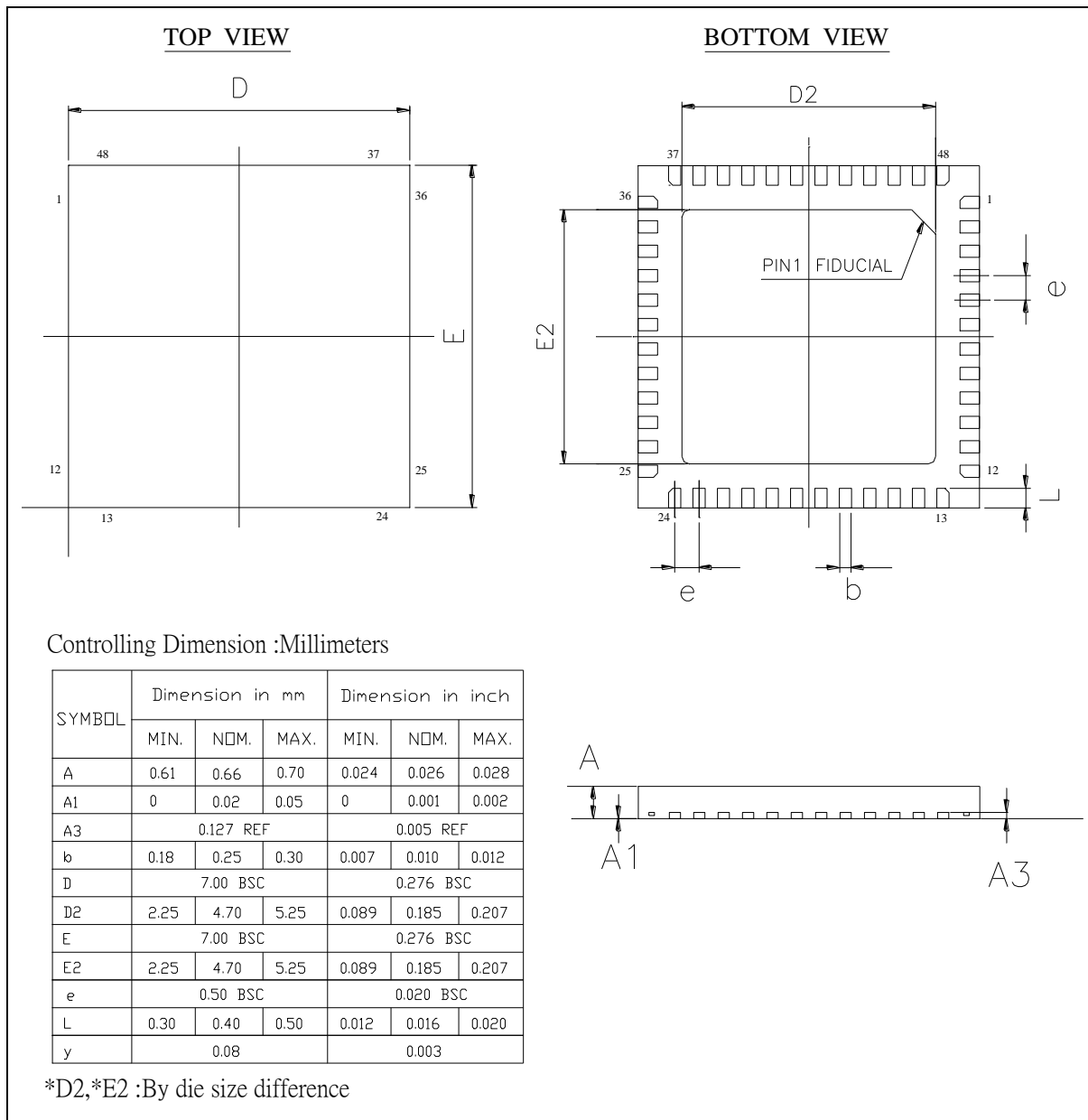


## 7 PACKAGE DIMENSIONS

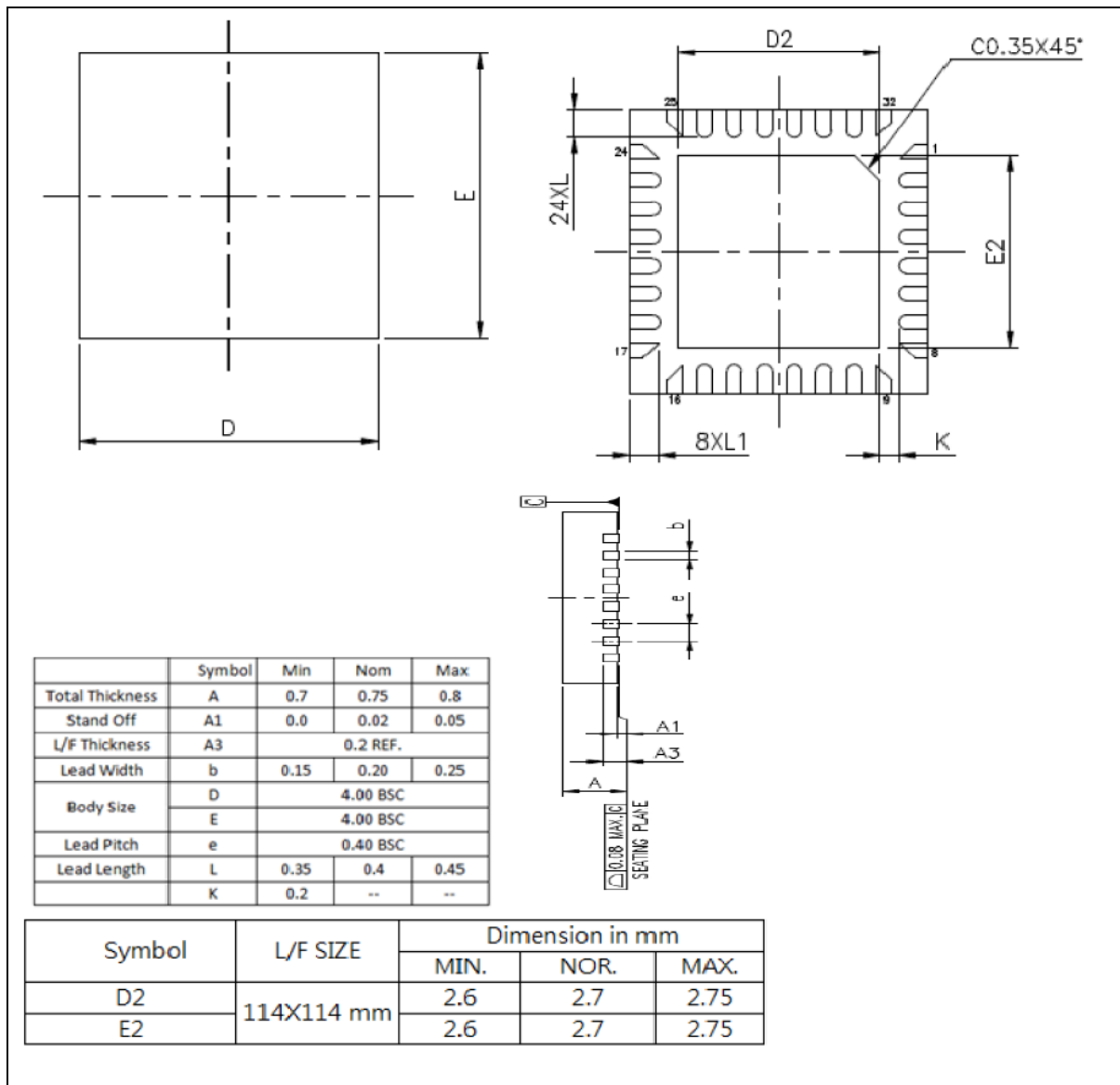
### 7.1 48-Pin LQFP (7mm x 7mm)



7.2 48-Pin QFN (7mm x 7mm)



7.3 33-pin QFN33 (4 mm x 4 mm)



## 8 REVISION HISTORY

Date	Revision	Description
2020.07.22	0.1	Preliminary version
2020.09.03	0.1	1. Modify GDMA in Features 2. Modify the Selection Guide 3. Modify the Electrical Characteristics
2020.09.28	0.1	1. Correct the 1000ns to 800ns in the note of section 6.4.1 12-bit SAR ADC
2020.12.08	0.1	1. Remove the parts of NM1243 series
2021.03.10	0.1	1. Modify the ADC Block Diagram
2021.12.02	0.1	1. Update the ESD and EFT characteristics
2022.01.19	0.1	1. Update the section of 4.3.1 NM1240 Series Pin Description Overview

### Important Notice

Nuvoton Products are neither intended nor warranted for usage in systems or equipment, any malfunction or failure of which may cause loss of human life, bodily injury or severe property damage. Such applications are deemed, "Insecure Usage".

Insecure usage includes, but is not limited to: equipment for surgical implementation, atomic energy control instruments, airplane or spaceship instruments, the control or operation of dynamic, brake or safety systems designed for vehicular use, traffic signal instruments, all types of safety devices, and other applications intended to support or sustain life.

All Insecure Usage shall be made at customer's risk, and in the event that third parties lay claims to Nuvoton as a result of customer's Insecure Usage, customer shall indemnify the damages and liabilities thus incurred by Nuvoton.

---

*Please note that all data and specifications are subject to change without notice.  
All the trademarks of products and companies mentioned in this datasheet belong to their respective owners.*