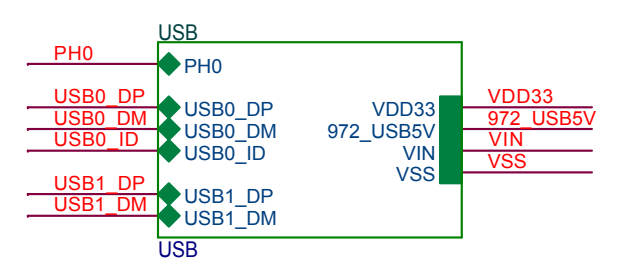
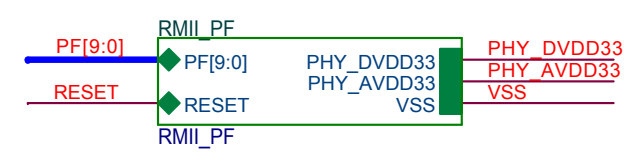
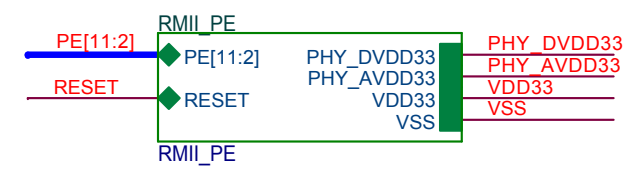
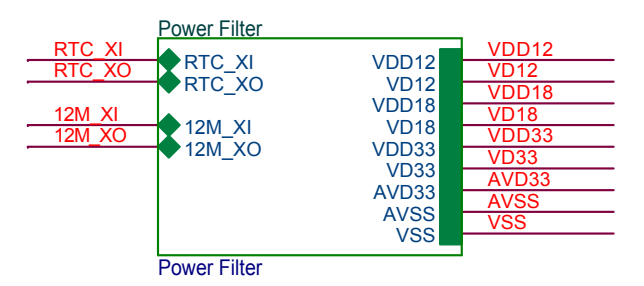
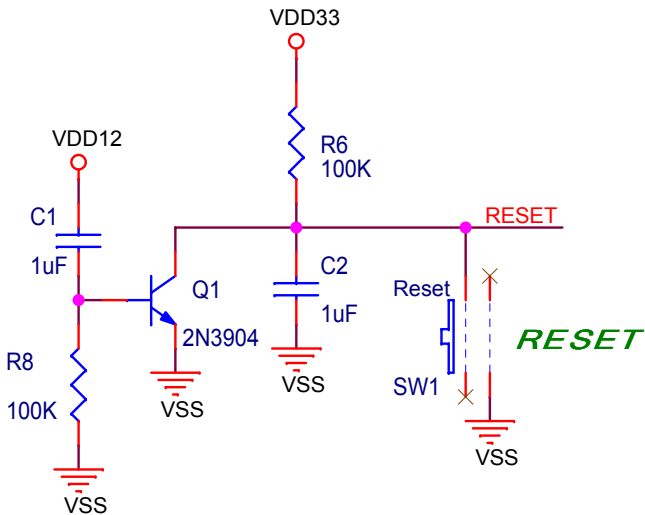
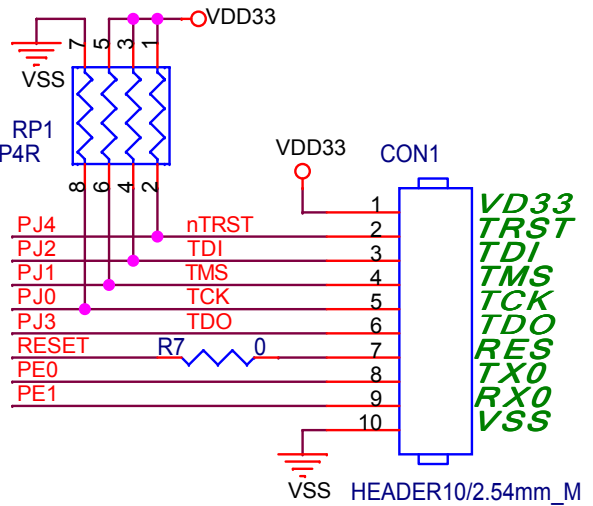
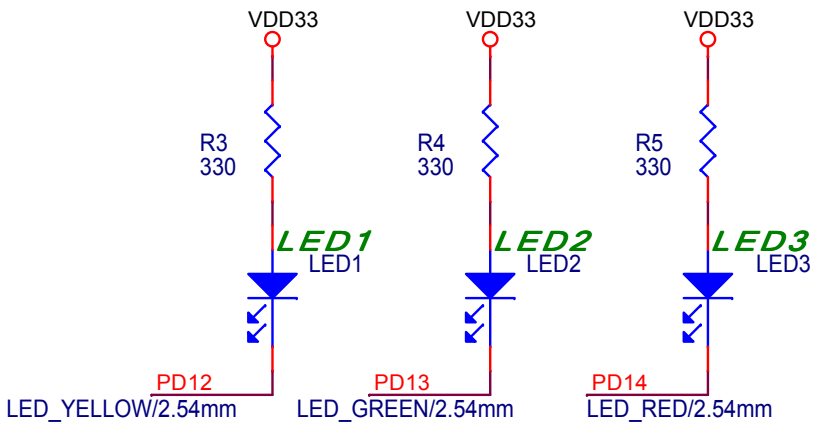
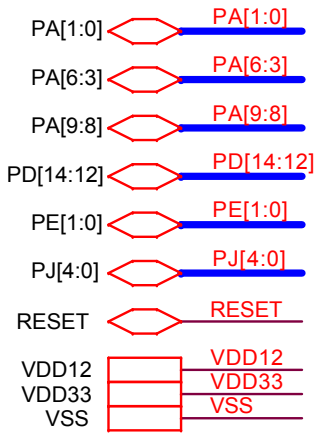
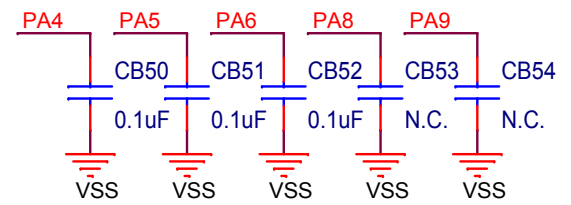
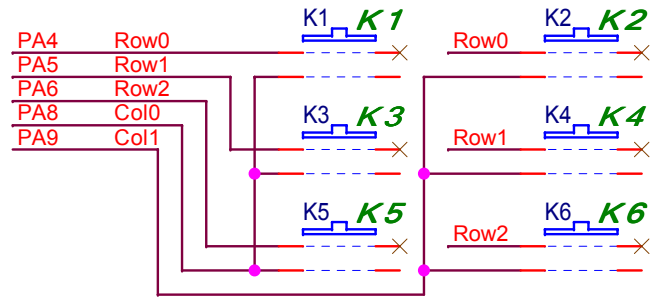
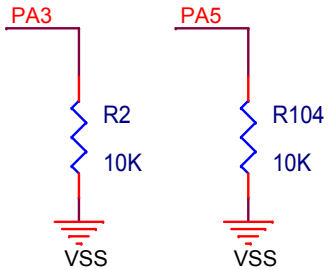
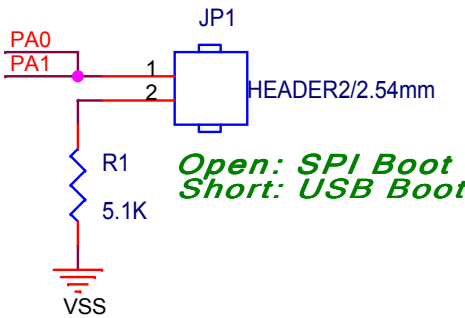
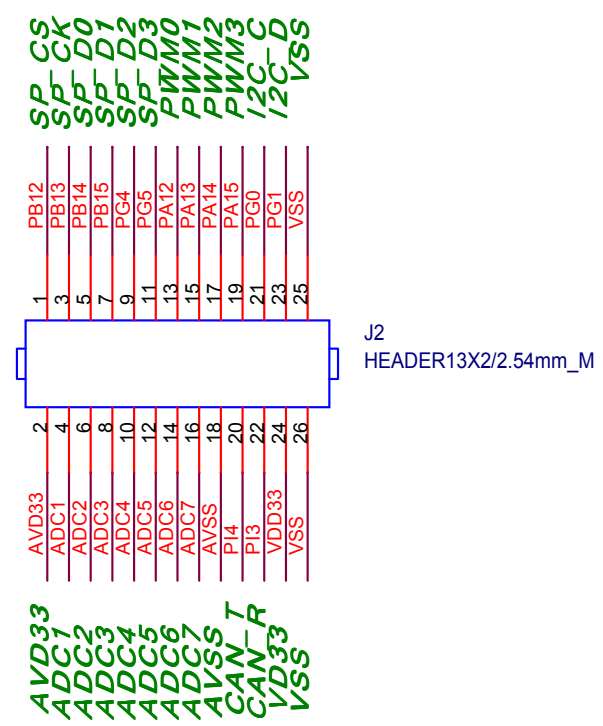
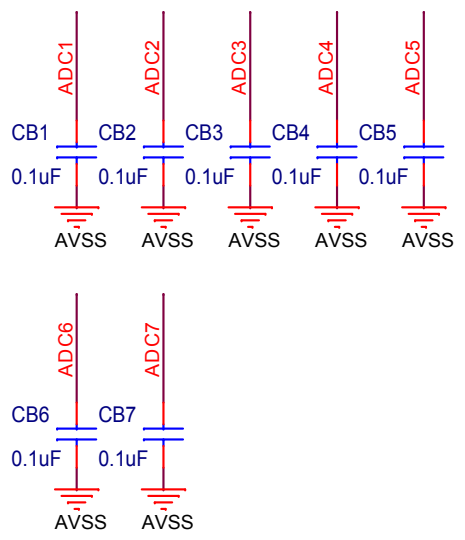


nuvoTon
NuDesign EtherU
P/N: NK-UAR2ETH-U V1.0



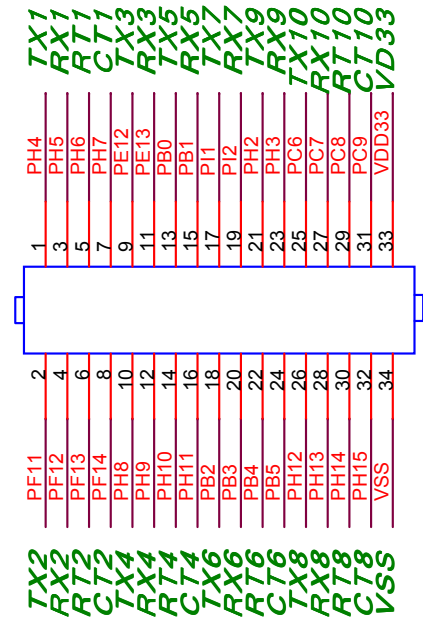


NK-UART2ETH-NUC972		
Size	Document Number	Rev
Custom	Configure	1.0
Date:	Monday, July 04, 2016	Sheet 2 of 12



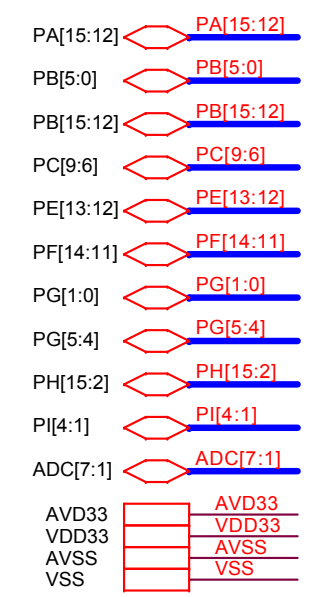
SP_CS
SP_CK
SP_D0
SP_D1
SP_D2
SP_D3
PWM0
PWM1
PWM2
PWM3
I2C_C
I2C_D
VSS

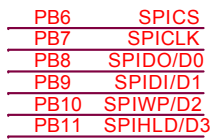
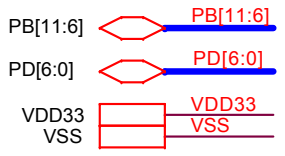
AVD33
ADC1
ADC2
ADC3
ADC4
ADC5
ADC6
ADC7
AVSS
CAN_T
CAN_R
VDD33
VSS



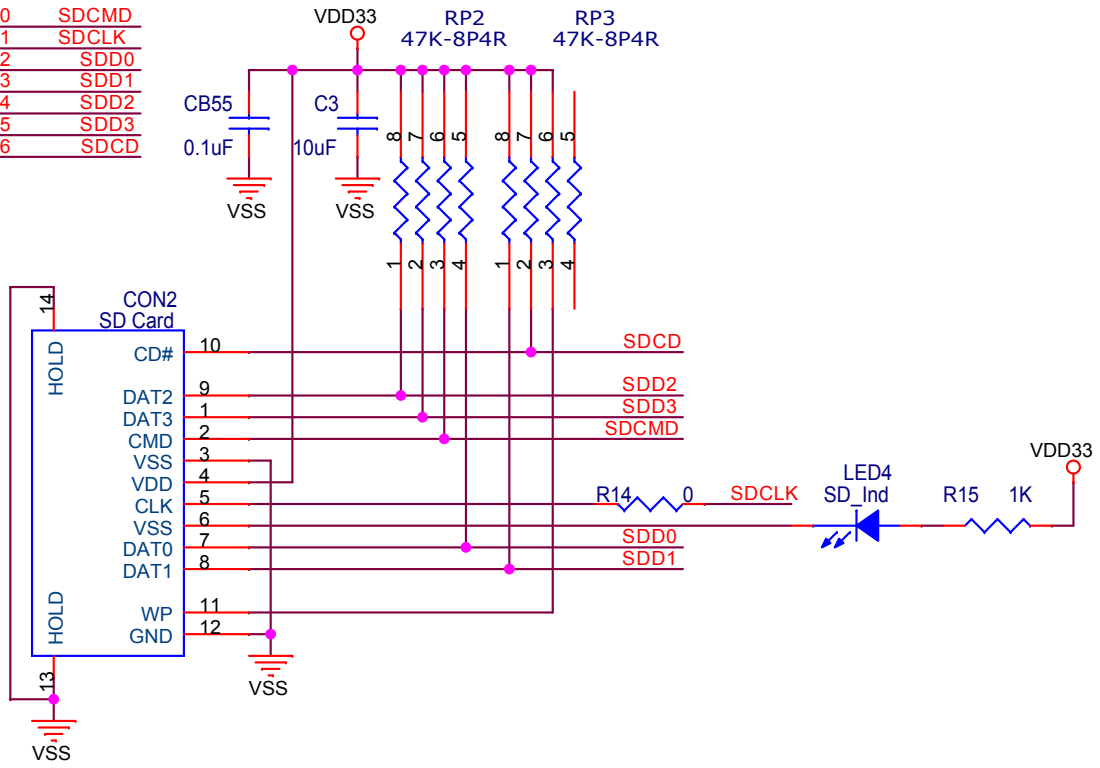
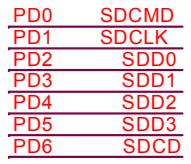
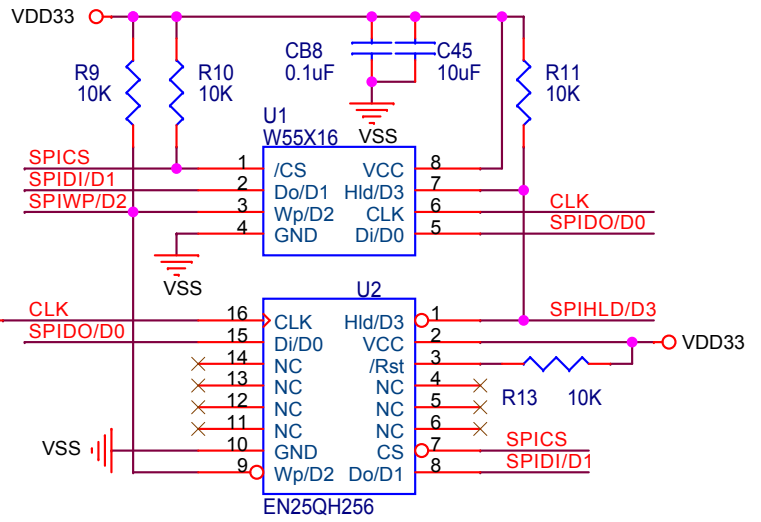
TX1
RX1
RT1
CT1
TX3
RX5
RX5
TX7
RX9
RX9
TX10
RX10
RT10
CT10
VD33

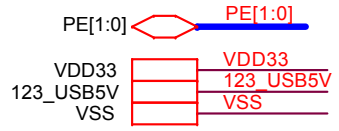
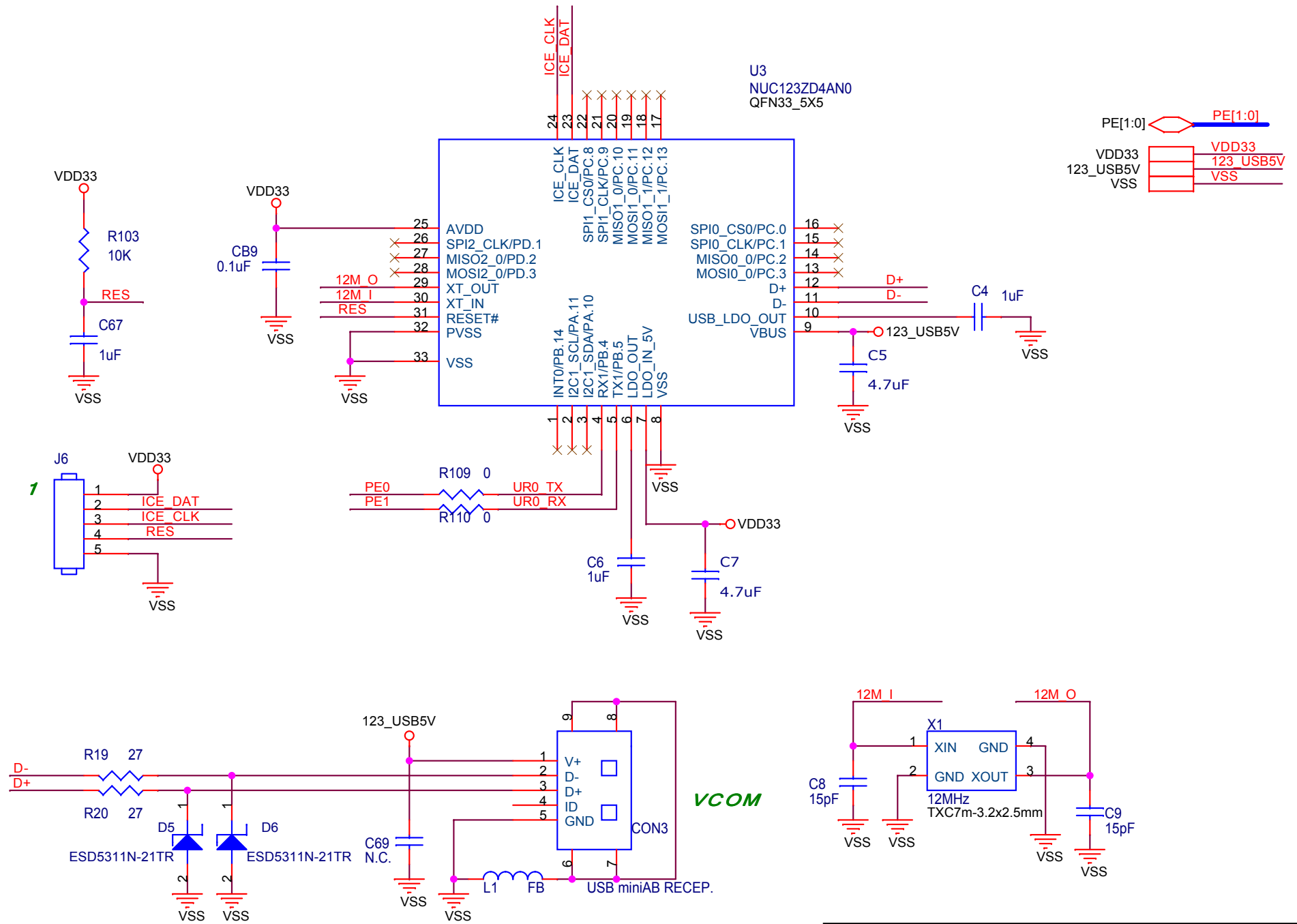
TX2
RX2
RT2
CT2
TX4
RX4
RT4
CT4
TX6
RX6
RT6
CT6
TX8
RX8
RT8
CT8
VSS





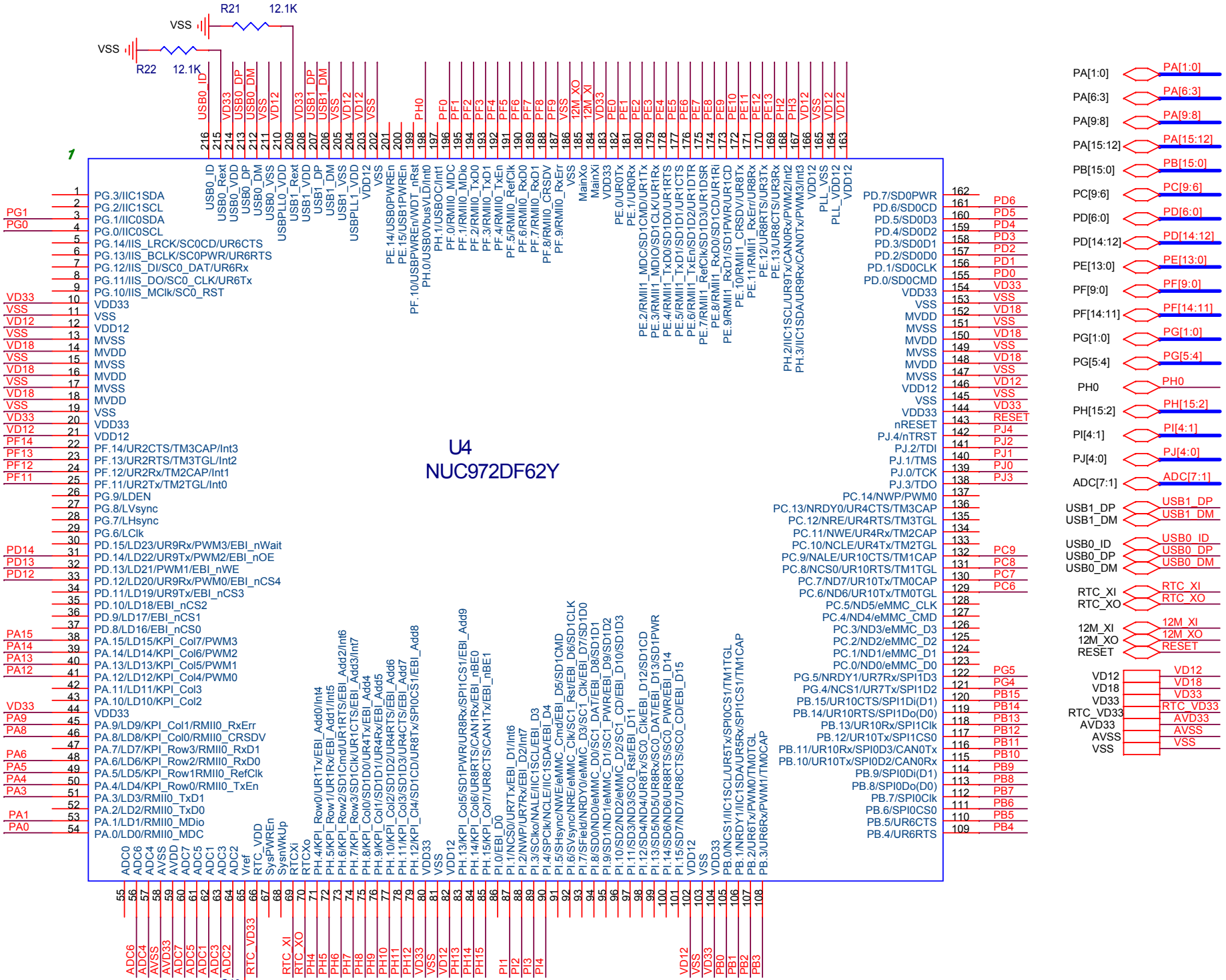
Note:
Only one SPI
Flash is used.





VCOM

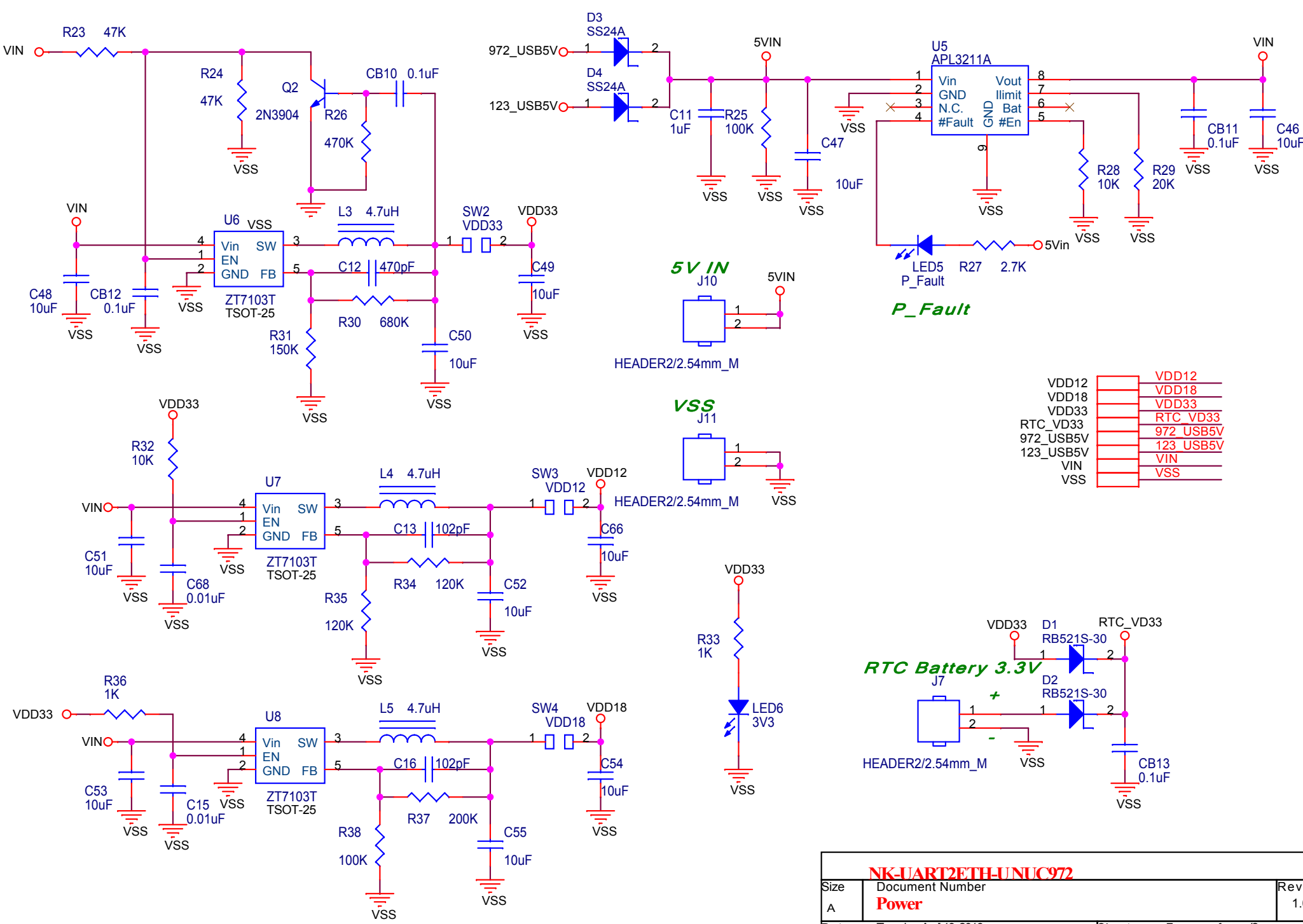
NK-UART2ETH-UNUC972		
Size	Document Number	Rev
A	UNC123ZD4AN0	1.0
Date:	Thursday, April 28, 2016	Sheet 5 of 12



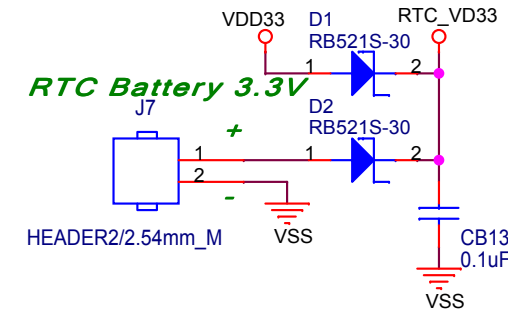
U4
NUC972DF62Y

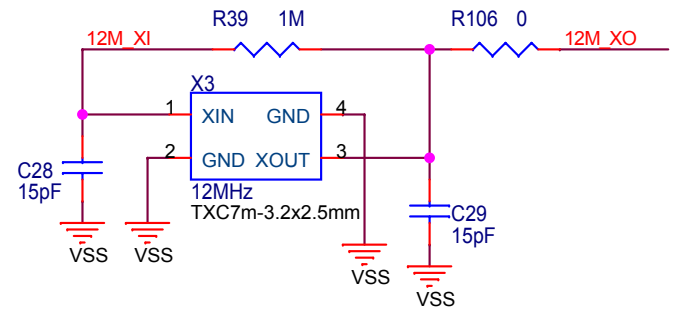
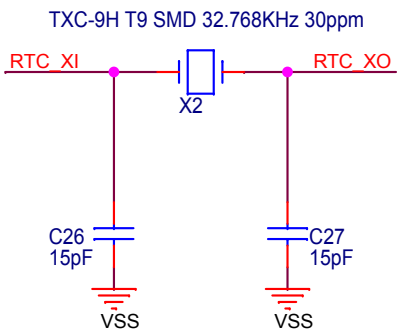
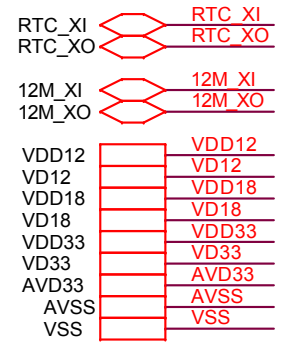
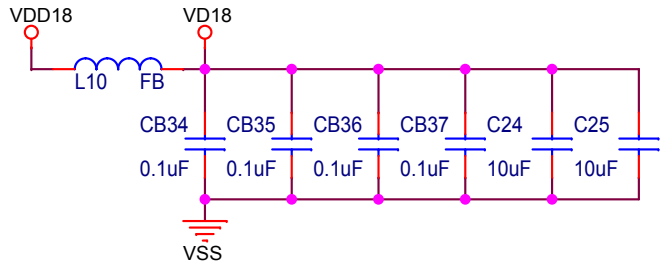
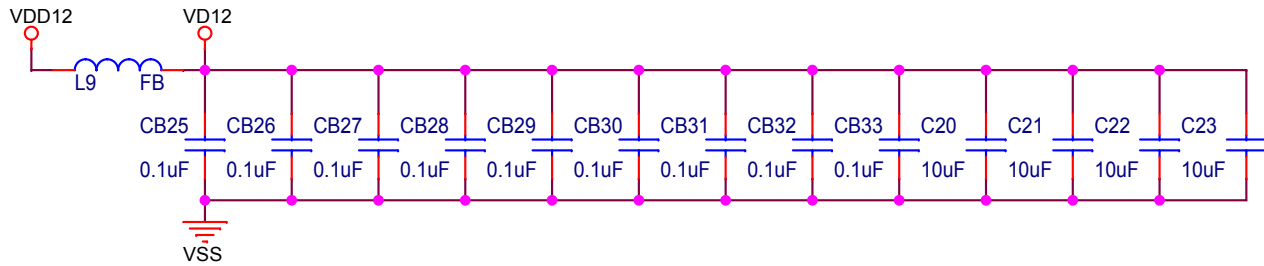
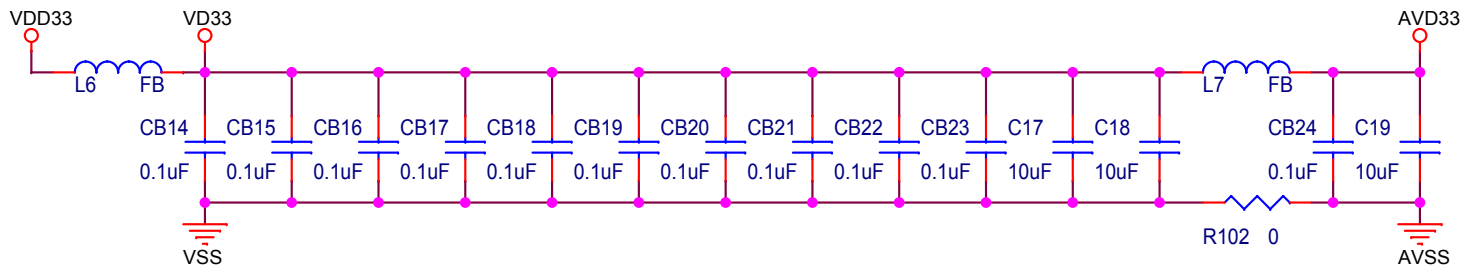
- PA[1:0] PAI[1:0]
- PA[6:3] PAI[6:3]
- PA[9:8] PAI[9:8]
- PA[15:12] PAI[15:12]
- PB[15:0] PBI[15:0]
- PC[9:6] PCI[9:6]
- PD[6:0] PDI[6:0]
- PD[14:12] PDI[14:12]
- PE[13:0] PEI[13:0]
- PF[9:0] PFI[9:0]
- PF[14:11] PFI[14:11]
- PG[1:0] PGI[1:0]
- PG[5:4] PGI[5:4]
- PH0 PH0
- PH[15:2] PHI[15:2]
- PI[4:1] PIJ[4:1]
- PJ[4:0] PIJ[4:0]
- ADC[7:1] ADCI[7:1]
- USB1_DP USB1_DP
- USB1_DM USB1_DM
- USB0_ID USB0_ID
- USB0_DP USB0_DP
- USB0_DM USB0_DM
- RTC_XI RTC_XI
- RTC_XO RTC_XO
- 12M_XI 12M_XI
- 12M_XO 12M_XO
- RESET RESET
- VD12 VD12
- VD18 VD18
- VDD33 VDD33
- RTC_VDD33 RTC_VDD33
- AVD33 AVD33
- AVSS AVSS
- VSS VSS

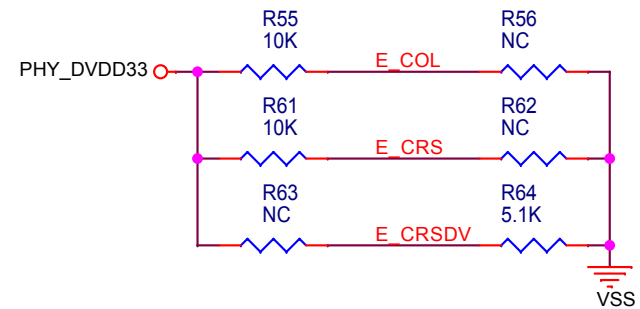
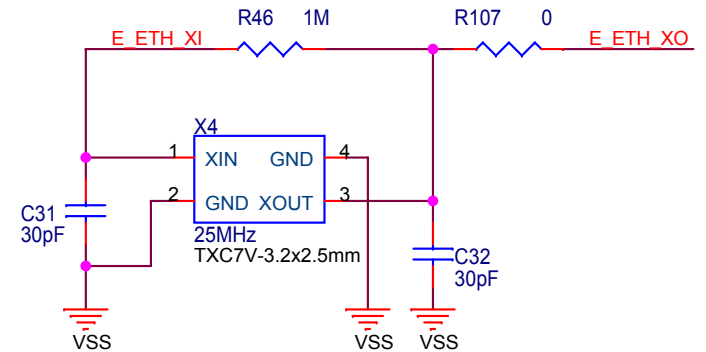
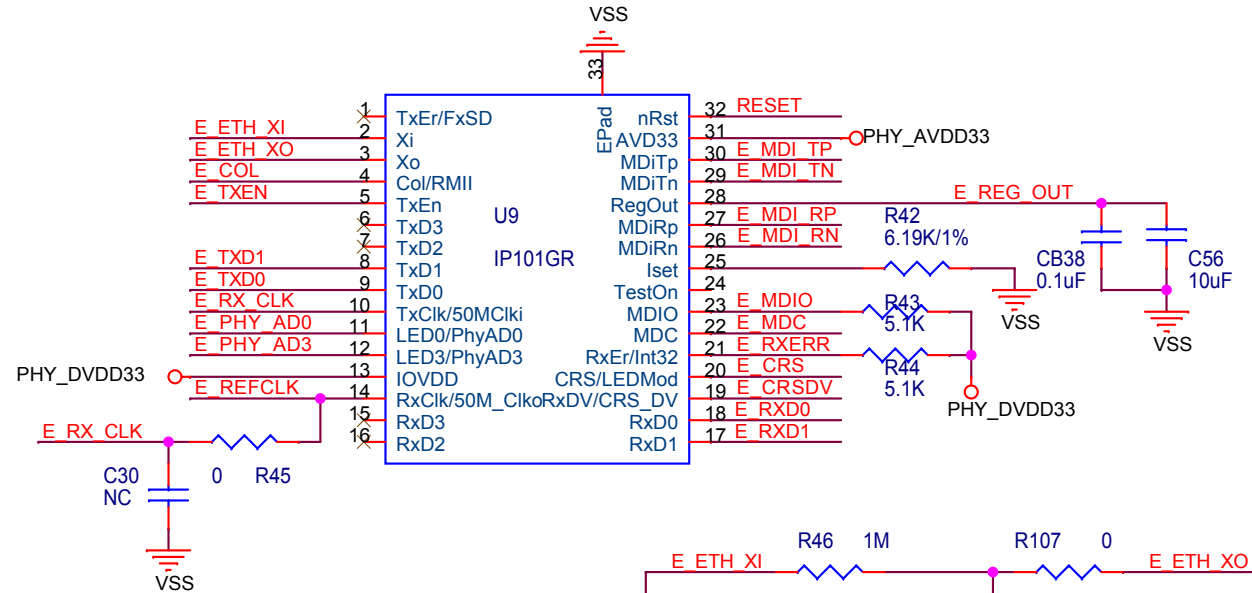
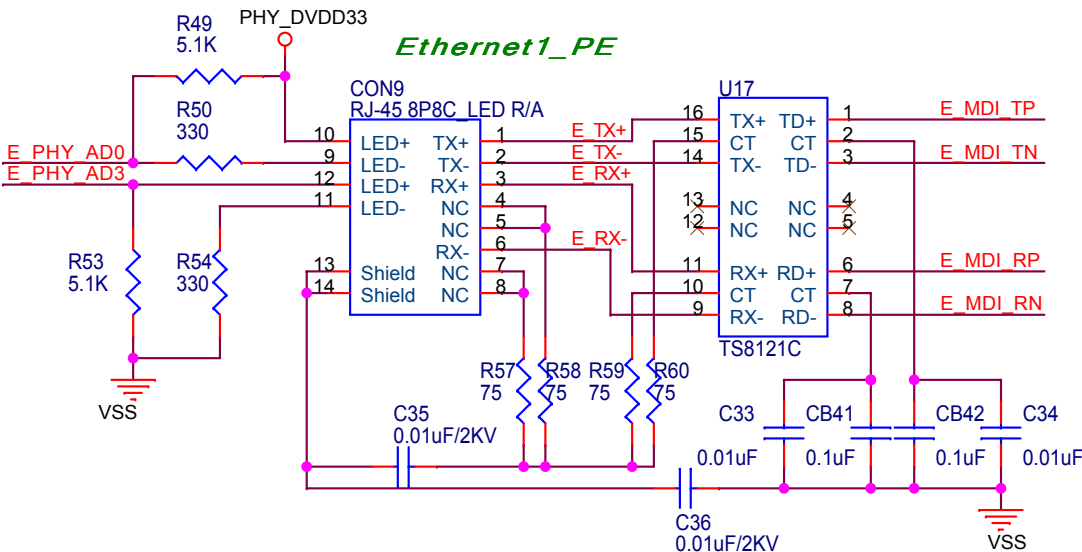
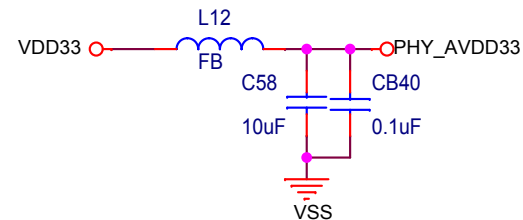
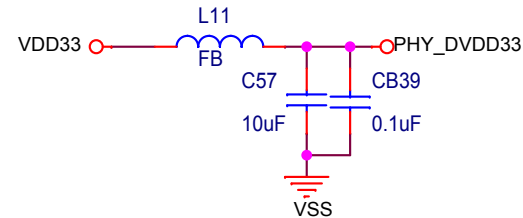
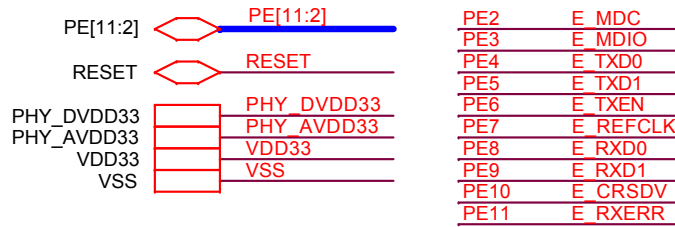
- PD.7/SD0PWR 162 PD6
- PD.6/SD0CD 161 PD5
- PD.5/SD0D3 160 PD4
- PD.4/SD0D2 158 PD3
- PD.3/SD0D1 157 PD2
- PD.2/SD0D0 156 PD1
- PD.1/SD0CLK 155 PD0
- PD.0/SD0CMD 154 VDD33
- VDD33 153 VSS
- MVDD 152 VD18
- MVSS 151 VSS
- MVDD 150 VD18
- MVSS 149 VSS
- MVDD 148 VD18
- MVSS 147 VSS
- VDD12 146 VD12
- VSS 145 VSS
- VDD33 144 VDD33
- nRESET 143 RESET
- PJ.4/nTRST 142 PJ4
- PJ.2/TDI 141 PJ2
- PJ.1/TMS 140 PJ1
- PJ.0/TCK 139 PJ0
- PJ.3/TDO 138 PJ3
- 137
- PC.14/NWP/PWM0 136
- PC.13/NRDY0/UR4CTS/TM3CAP 135
- PC.12/NRE/UR4RTS/TM3TGL 134
- PC.11/NWE/UR4R/TM2CAP 133
- PC.10/NCLE/UR4Tx/TM2TGL 132 PC9
- PC.9/NALE/UR10CTS/TM1CAP 131 PC8
- PC.8/NCS0/UR10RTS/TM1TGL 130 PC7
- PC.7/ND7/UR10Tx/TM0CAP 129 PC6
- PC.6/ND6/UR10Tx/TM0TGL 128
- PC.5/ND5/eMMC_CLK 127
- PC.4/ND4/eMMC_CMD 126
- PC.3/ND3/eMMC_D3 125
- PC.2/ND2/eMMC_D2 124
- PC.1/ND1/eMMC_D1 123
- PC.0/ND0/eMMC_D0 122 PG5
- PG.5/NRDY1/UR7Rx/SPI1D3 121 PG4
- PG.4/NCS1/UR7Tx/SPI1D2 120 PB15
- PB.15/UR10CTS/SPI1Di(D1) 119 PB14
- PB.14/UR10RTS/SPI1Do(D0) 118 PB13
- PB.13/UR10Rx/SPI1CIK 117 PB12
- PB.12/UR10Tx/SPI1CS0 116 PB11
- PB.11/UR10Rx/SPI0D3/CAN0Tx 115 PB10
- PB.10/UR10Tx/SPI0D2/CAN0Rx 114 PB9
- PB.9/SPI0Di(D1) 113 PB8
- PB.8/SPI0Do(D0) 112 PB7
- PB.7/SPI0CIK 111 PB6
- PB.6/SPI0CS0 110 PB5
- PB.5/UR6CTS 109 PB4
- PB.4/UR6RTS 108



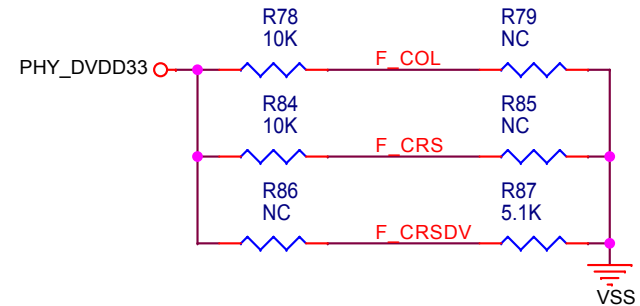
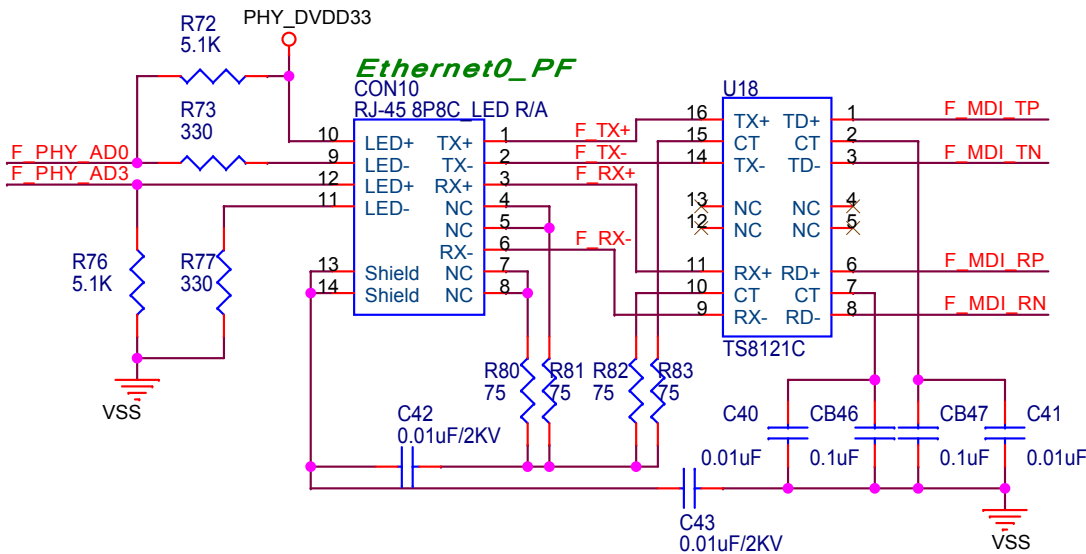
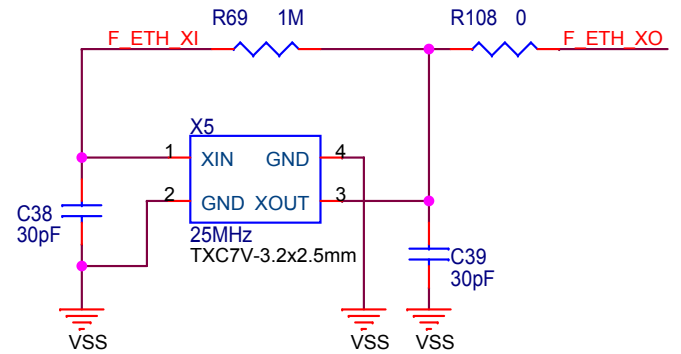
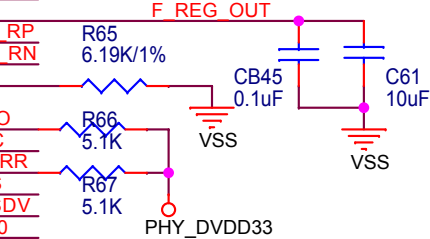
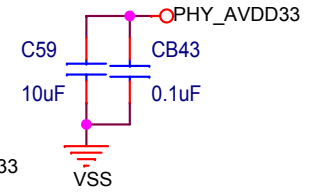
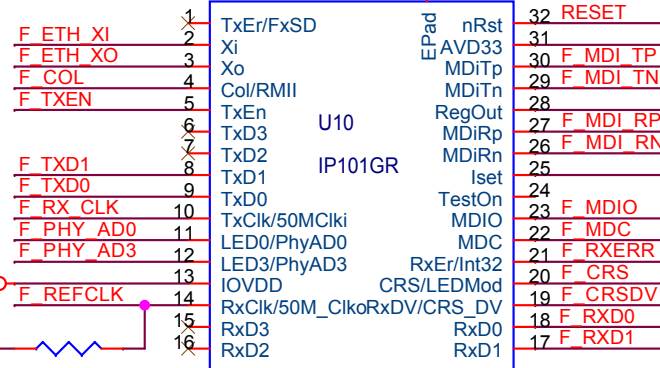
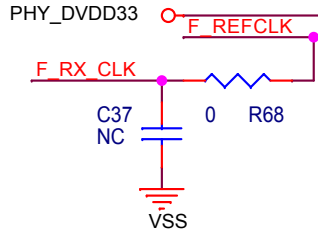
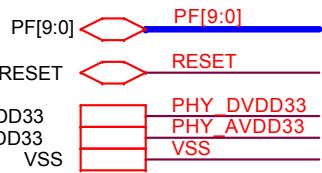
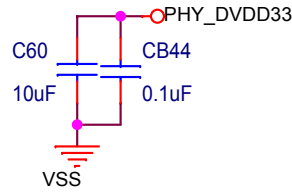
VDD12	VDD12
VDD18	VDD18
VDD33	VDD33
RTC_VD33	RTC_VD33
972_USB5V	972_USB5V
123_USB5V	123_USB5V
VIN	VIN
VSS	VSS

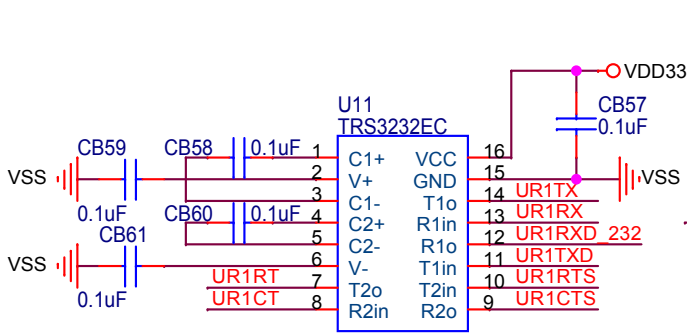




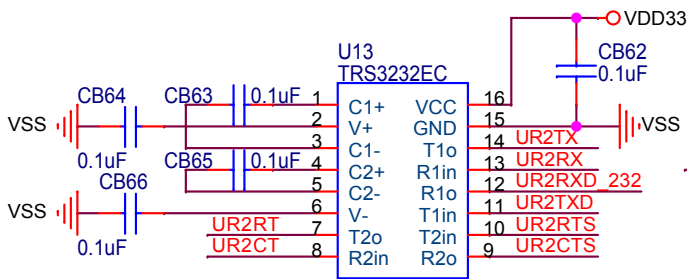
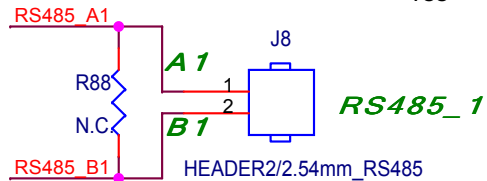
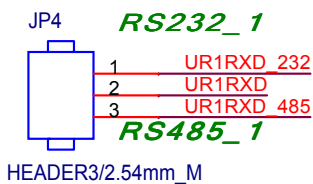
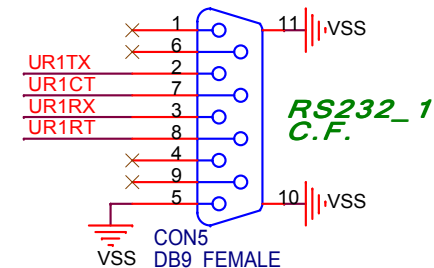
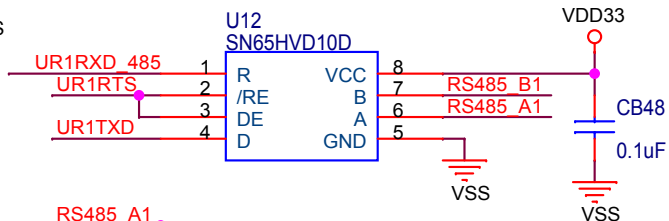


PF0	F MDC
PF1	F MDIO
PF2	F TXD0
PF3	F TXD1
PF4	F TXEN
PF5	F REFCLK
PF6	F RXD0
PF7	F RXD1
PF8	F CRSDV
PF9	F RXERR

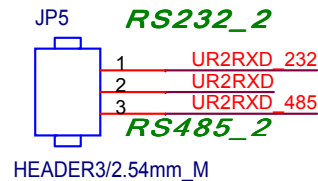
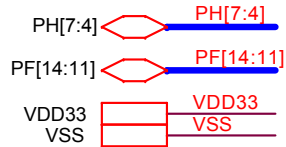
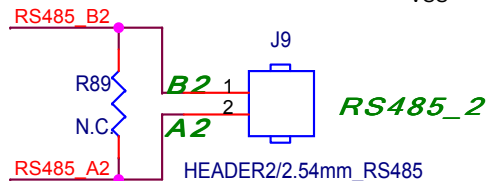
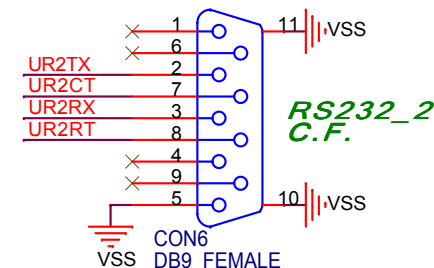
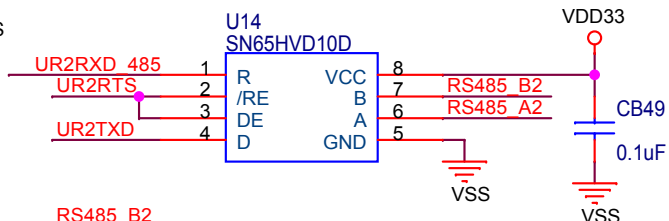


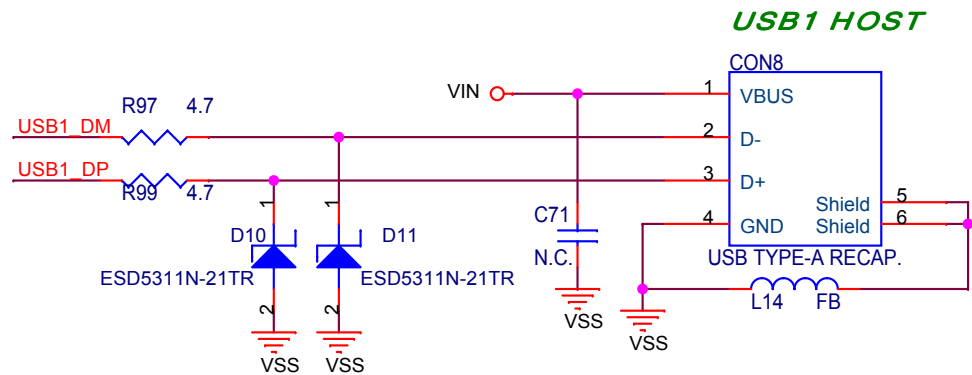
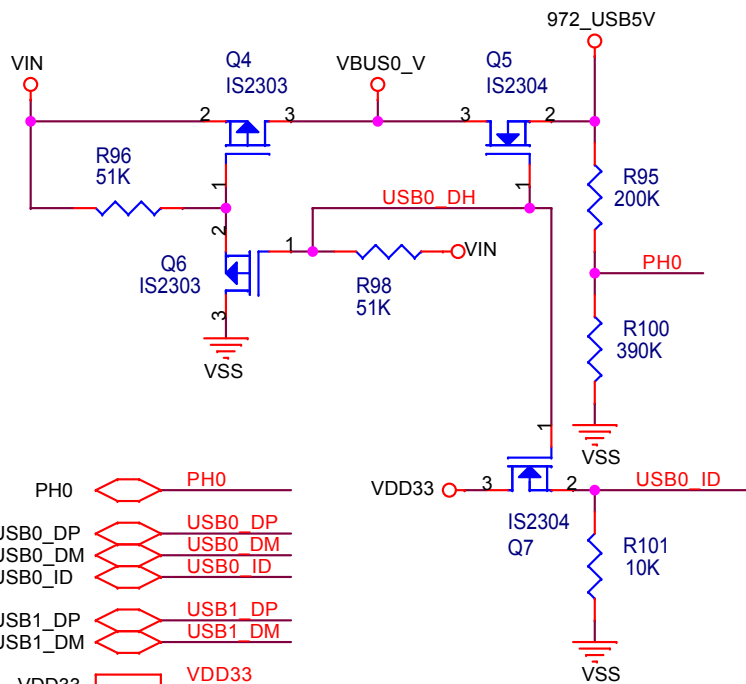
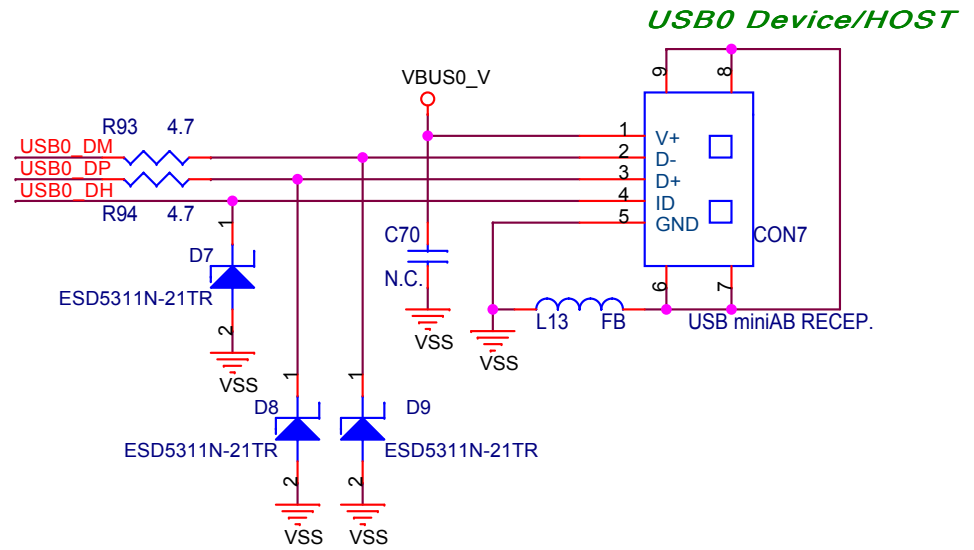


UR1CTS PH7
 UR1RTS PH6
 UR1RXD PH5
 UR1TXD PH4



UR2CTS PF14
 UR2RTS PF13
 UR2RXD PF12
 UR2TXD PF11





PH0	PH0
USB0_DP	USB0_DP
USB0_DM	USB0_DM
USB0_ID	USB0_ID
USB1_DP	USB1_DP
USB1_DM	USB1_DM
VDD33	VDD33
972_USB5V	972_USB5V
VIN	VIN
VSS	VSS